

NOTES:

1. MATERIALS:

HOUSING - LIQUID CRYSTAL POLYMER (LCP),
UL94 V-0, COLOR: BLACK.

TERMINAL - COPPER ALLOY

2. FINISH: 30 μ IN MIN. GOLD ON MATING SURFACE;
MATTE TIN ON TAILS; NICKEL UNDERPLATE.

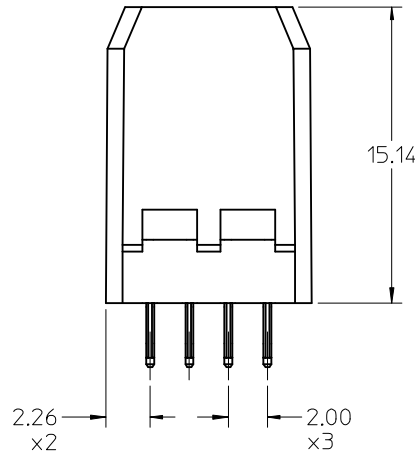
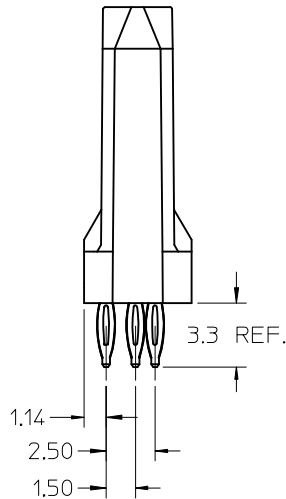
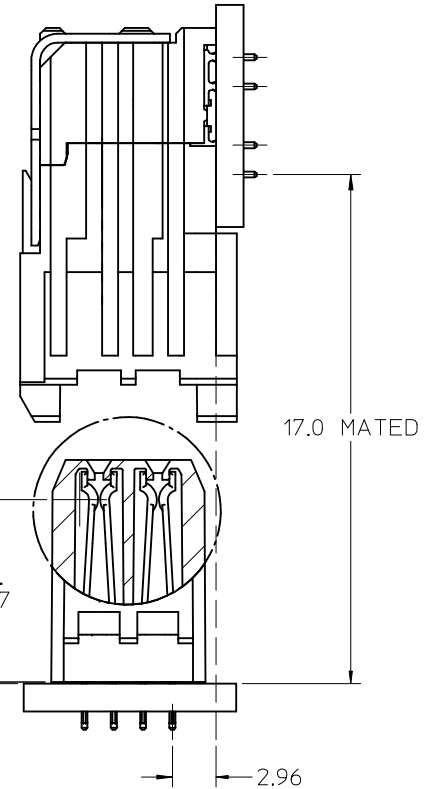
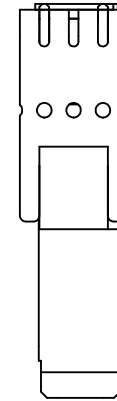
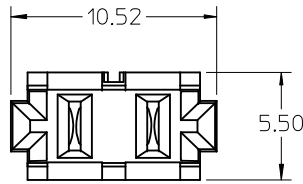
3. FINISH: 50 μ IN MIN. GOLD ON MATING SURFACE;
MATTE TIN ON TAILS; NICKEL UNDERPLATE.

4. THIS PART CONFORMS TO PRODUCT SPECIFICATION
PS-74031-999.

5. SINGLE ROW ASSEMBLY PACKED PER PK-70873-0876.

6. MATES WITH 75885 SERIES DAUGHTERCARD POWER ASSEMBLY.

7. MATING INTERFACE MEASURED FROM BOTTOM OF HOUSING.



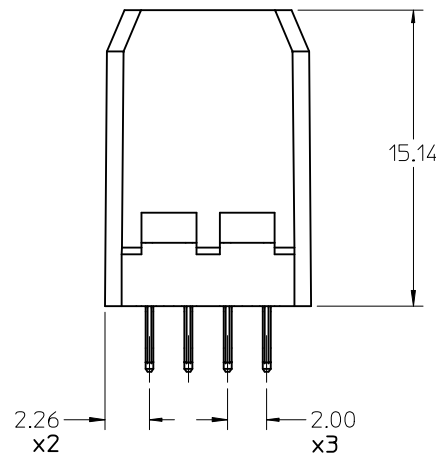
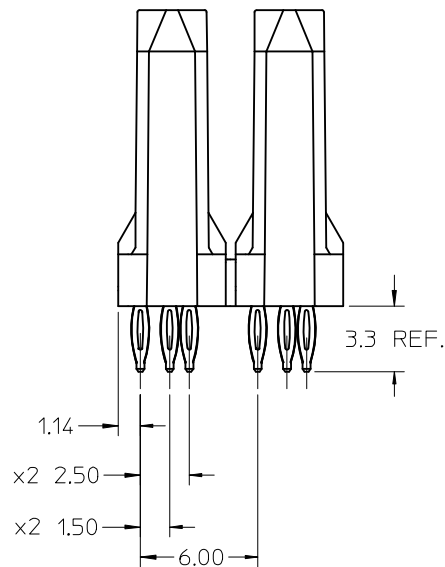
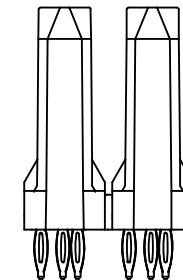
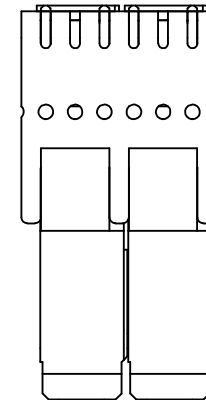
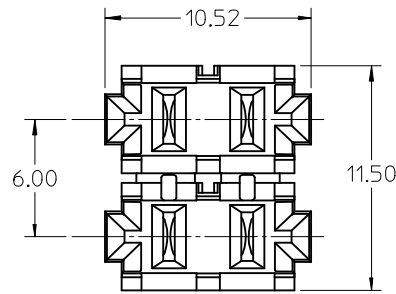
SINGLE ROW ASSEMBLY

MOLEX P/N	GOLD THICKNESS
75888-6000	30uin
75888-6050	50uin

ADD GEN. TOLERANCE EC NO: UCP2014-2587 DRWN:SVANG01 2013/12/17 CHKD:WOLFE 2013/12/17 APPR:SMILLER 2013/12/19 B	QUALITY SYMBOLS F=0 F=0 F=0	GENERAL TOLERANCES (UNLESS SPECIFIED) mm INCH 4 PLACES ± --- ± --- 3 PLACES ± --- ± --- 2 PLACES ± 0.13 ± --- 1 PLACE ± 0.25 ± --- 0 PLACE ± ±	DIMENSION STYLE MM ONLY DRAWN BY DATE JJONIAK 2005/08/09 CHECKED BY DATE JJONIAK 2005/08/09 APPROVED BY DATE JJONIAK 2005/08/09	SCALE 4:1 DESIGN UNITS METRIC THIRD ANGLE PROJECTION	TITLE VHDM/HSD POWER 6 ROW BACKPLANE LEAD FREE SALES ASSEMBLY molex	MATERIAL NO. SEE CHART	DOCUMENT NO. SD-75888-006	SHEET NO. 1 OF 3
	ANGULAR ± 5 ° DRAFT WHERE APPLICABLE MUST REMAIN WITHIN DIMENSIONS		THIS DRAWING CONTAINS INFORMATION THAT IS PROPRIETARY TO MOLEX INCORPORATED AND SHOULD NOT BE USED WITHOUT WRITTEN PERMISSION					
	REV DESCRIPTION							

NOTES:

1. THIS DESIGN INTENDED AS OPTION TO HAVING TWO SINGLE ROW MODULES NEXT TO EACH OTHER.
2. FINISH: 30 μ IN GOLD ON MATING SURFACE; MATTE TIN ON TAILS; NICKEL UNDERPLATE.
3. FINISH: 50 μ IN GOLD ON MATING SURFACE; MATTE TIN ON TAILS; NICKEL UNDERPLATE.
4. DUAL ROW ASSEMBLIES PACKED PER PK-70873-545.

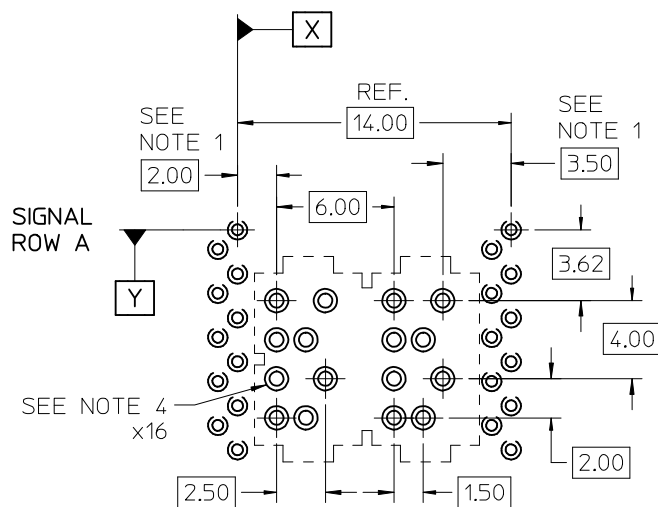


DUAL ROW ASSEMBLY

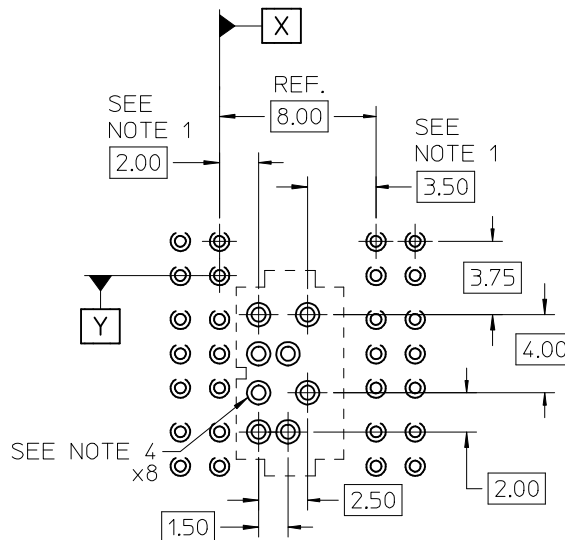
MOLEX P/N	CONTACT PLATING
75888-6002	SEE NOTE 2.
75888-6052	SEE NOTE 3.

SEE SHEET 1 EC NO: UCP2014-2587 DRWN:SVANG01 2013/12/17 CHKD:MWOLF 2013/12/17 APPR:SMILLER 2013/12/19	DESCRIPTION REV B	QUALITY SYMBOLS	GENERAL TOLERANCES (UNLESS SPECIFIED)	DIMENSION STYLE	SCALE	DESIGN UNITS	THIRD ANGLE PROJECTION																		
		$\nabla = 0$ $\nabla = 0$ $\nabla = 0$	<table border="1"> <thead> <tr> <th></th> <th>mm</th> <th>INCH</th> </tr> </thead> <tbody> <tr> <td>4 PLACES</td> <td>± ---</td> <td>± ---</td> </tr> <tr> <td>3 PLACES</td> <td>± ---</td> <td>± ---</td> </tr> <tr> <td>2 PLACES</td> <td>± 0.13</td> <td>± ---</td> </tr> <tr> <td>1 PLACE</td> <td>± 0.25</td> <td>± ---</td> </tr> <tr> <td>0 PLACE</td> <td>±</td> <td>±</td> </tr> </tbody> </table>		mm	INCH	4 PLACES	± ---	± ---	3 PLACES	± ---	± ---	2 PLACES	± 0.13	± ---	1 PLACE	± 0.25	± ---	0 PLACE	±	±	MM ONLY	4:1	METRIC	
			mm	INCH																					
		4 PLACES	± ---	± ---																					
3 PLACES	± ---	± ---																							
2 PLACES	± 0.13	± ---																							
1 PLACE	± 0.25	± ---																							
0 PLACE	±	±																							
	ANGULAR ± 5 ° DRAFT WHERE APPLICABLE MUST REMAIN WITHIN DIMENSIONS	DRAWN BY JJONIAK CHECKED BY JJONIAK APPROVED BY JJONIAK MATERIAL NO. SEE CHART SIZE B	DATE 2005/08/09 DATE 2005/08/09 DATE 2005/08/09	TITLE VHDM/HSD POWER 6 ROW BACKPLANE LEAD FREE SALES ASSEMBLY molex		SHEET NO. 2 OF 3																			
				DOCUMENT NO.		SD-75888-006																			
THIS DRAWING CONTAINS INFORMATION THAT IS PROPRIETARY TO MOLEX INCORPORATED AND SHOULD NOT BE USED WITHOUT WRITTEN PERMISSION																									

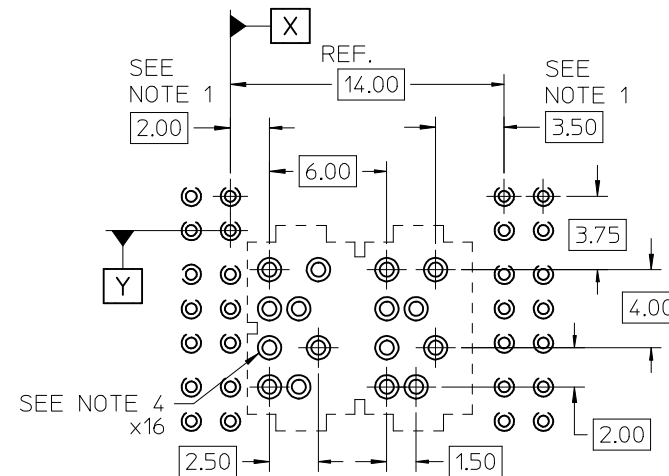
BOARD LAYOUTS: 1.8 mm MIN. BOARD THICKNESS



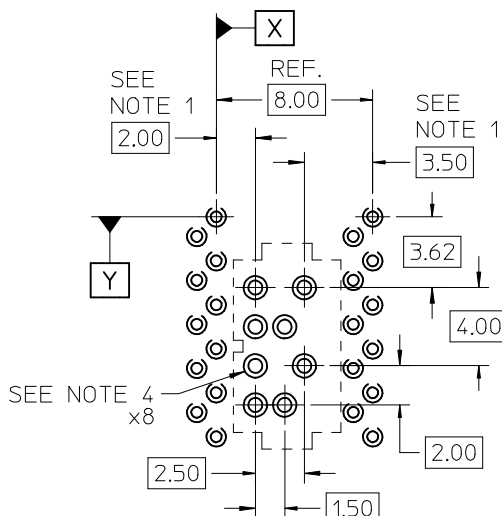
VHDM DUAL ROW POWER



VHDM-HSD SINGLE ROW POWER



VHDM-HSD DUAL ROW POWER



VHDM SINGLE ROW POWER

NOTES:

1. ADDITIONAL SPACING CAN BE ADDED IN MULTIPLES OF 2.0 mm AS REQUIRED. FOR EACH ADDITIONAL SINGLE ROW POWER, ADD 6.00 mm.
2. SIGNAL ROW A IS IN LINE WITH DATUM Y IN ALL FOUR LAYOUTS.
3. FOUR HOLES ARE USED PER POWER CONTACT.
4. EACH POWER HOLE TO BE MANUFACTURED AS FOLLOWS:

Ø0.725±0.075 PLATED THROUGH HOLE

Ø1.20 PAD

Ø0.838 DRILL

⊕ 0.10 X | Y

SEE SHEET 1 EC NO: UCP2014-2587 DRWNS:SVANG01 2013/12/17 CHKD:MWOLF 2013/12/17 APPR:SMILLER 2013/12/19 REV DESCRIPTION	QUALITY SYMBOLS	GENERAL TOLERANCES (UNLESS SPECIFIED)	DIMENSION STYLE	SCALE	DESIGN UNITS	THIRD ANGLE PROJECTION
	▽=0	mm INCH	MM ONLY	4:1	METRIC	
	▽=0	4 PLACES ± --- ± ---	DRAWN BY DATE	TITLE		
	▽=0	3 PLACES ± --- ± ---	JJONIAK 2005/08/09	VHDM/HSD POWER		
	2 PLACES ± 0.13 ± ---	CHECKED BY DATE	6 ROW BACKPLANE			
	1 PLACE ± 0.25 ± ---	JJONIAK 2005/08/09	LEAD FREE SALES ASSEMBLY			
	0 PLACE ± ±	APPROVED BY DATE				
	ANGULAR ± 5 °	JJONIAK 2005/08/09	MATERIAL NO.	DOCUMENT NO.	SHEET NO.	
	DRAFT WHERE APPLICABLE MUST REMAIN WITHIN DIMENSIONS	SEE CHART		SD-75888-006	3 OF 3	
		SIZE B	THIS DRAWING CONTAINS INFORMATION THAT IS PROPRIETARY TO MOLEX INCORPORATED AND SHOULD NOT BE USED WITHOUT WRITTEN PERMISSION			