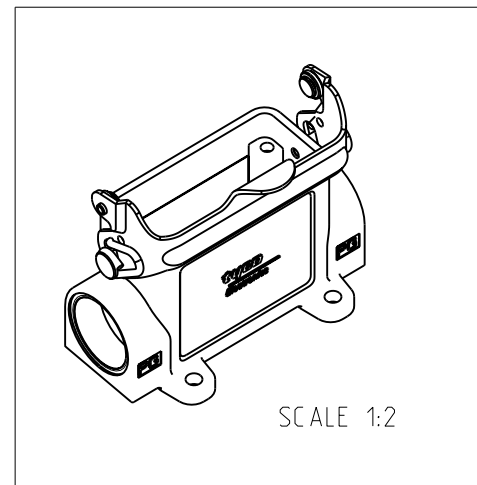
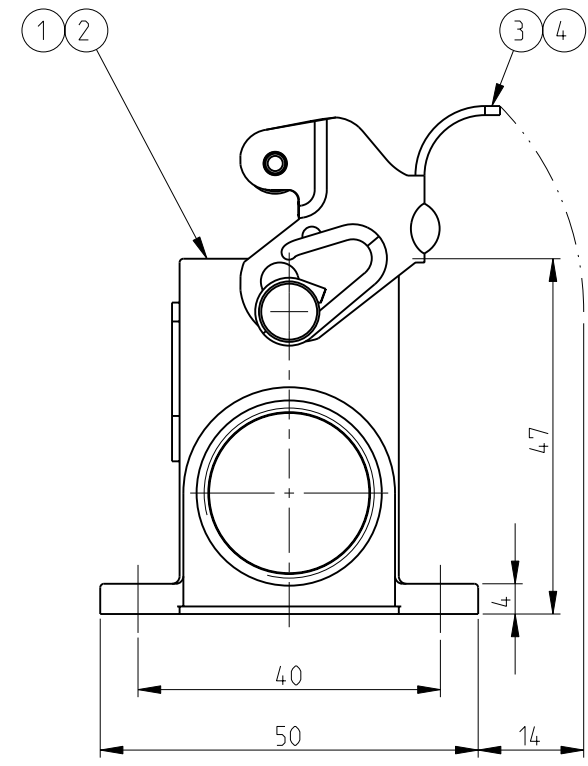
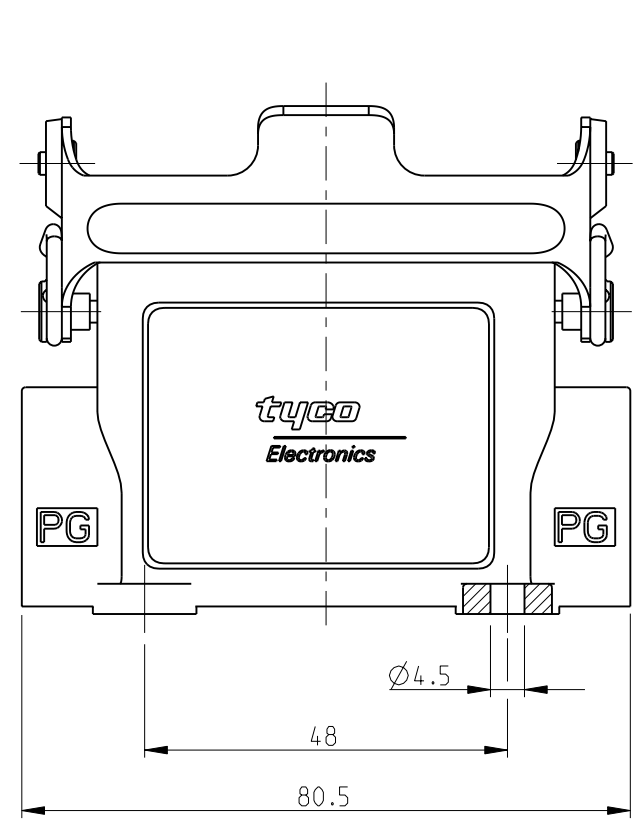


THIS DRAWING IS UNPUBLISHED. RELEASED FOR PUBLICATION 2000
 © COPYRIGHT 2000 BY TYCO ELECTRONICS CORPORATION. ALL RIGHTS RESERVED.

LOC	DIST	REVISIONS				
P	LTR	DESCRIPTION	DATE	DWN	APVD	
A1	-	C2	RELEASED AS PER ECR-09-005170	05.MAR.2009	GG	TS

NOTES:

- 1 MATERIAL: SEE TABLE
- 2 SURFACE: SEE TABLE
- 3 VARNISH ON THE INSIDE NOT NECESSARY
- 4 PACKAGING QUANTITY: 5 PIECES PER BOX



PN 0-1 & 1-2 AS SHOWN

QTY	DESCRIPTION	MATERIAL	SURFACE	COLOR	ITEM NO.	REMARKS
1	LB-SIDE CLIP	STAINLESS STEEL		BLANK	4	
- 1	LB-SIDE CLIP	STEEL	ZINC PLATED	BLUE	3	
1	SURFACE MOUNTED HOUSING	ALUMINIUM		WITHOUT VARNISH	2	
- 1	SURFACE MOUNTED HOUSING	ALUMINIUM		GREY	1	
0-1	1-2					
ORDERING TEXT						
HA.10.SG-LB.2.16.Z						
HA.10.SG-LB.2.16.Z						

THIS DRAWING IS A CONTROLLED DOCUMENT FOR TYCO ELECTRONICS CORPORATION IT IS SUBJECT TO CHANGE AND THE CONTROLLING ENGINEERING ORGANIZATION SHOULD BE CONTACTED FOR THE LATEST REVISION.		DWN S.KUMAR 2/27/2006 CHK R.SRINIVAS 2/27/2006 APVD T.SCHNURPFEL 2/27/2006		Tyco Electronics.AMP.GmbH 53757.Sankt Augustin.Germany	
DIMENSIONS: mm		TOLERANCES UNLESS OTHERWISE SPECIFIED: n.ISO 8015: n.ISO 2768-mH-E: n.DIN 16901-120		NAME SURFACE MOUNTED HOUSING, SIDE ENTRY HA10.SG-LB.2.16.Z	
		0 PLC ± 1 PLC ± 2 PLC ± 3 PLC ± 4 PLC ± ANGLES ±		PRODUCT SPEC - APPLICATION SPEC - WEIGHT -	
MATERIAL 1		FINISH 2		SIZE A3 00779 C=1102126 RESTRICTED TO -	
CUSTOMER DRAWING				SCALE 1:1 SHEET 1 OF 1 REV C2	