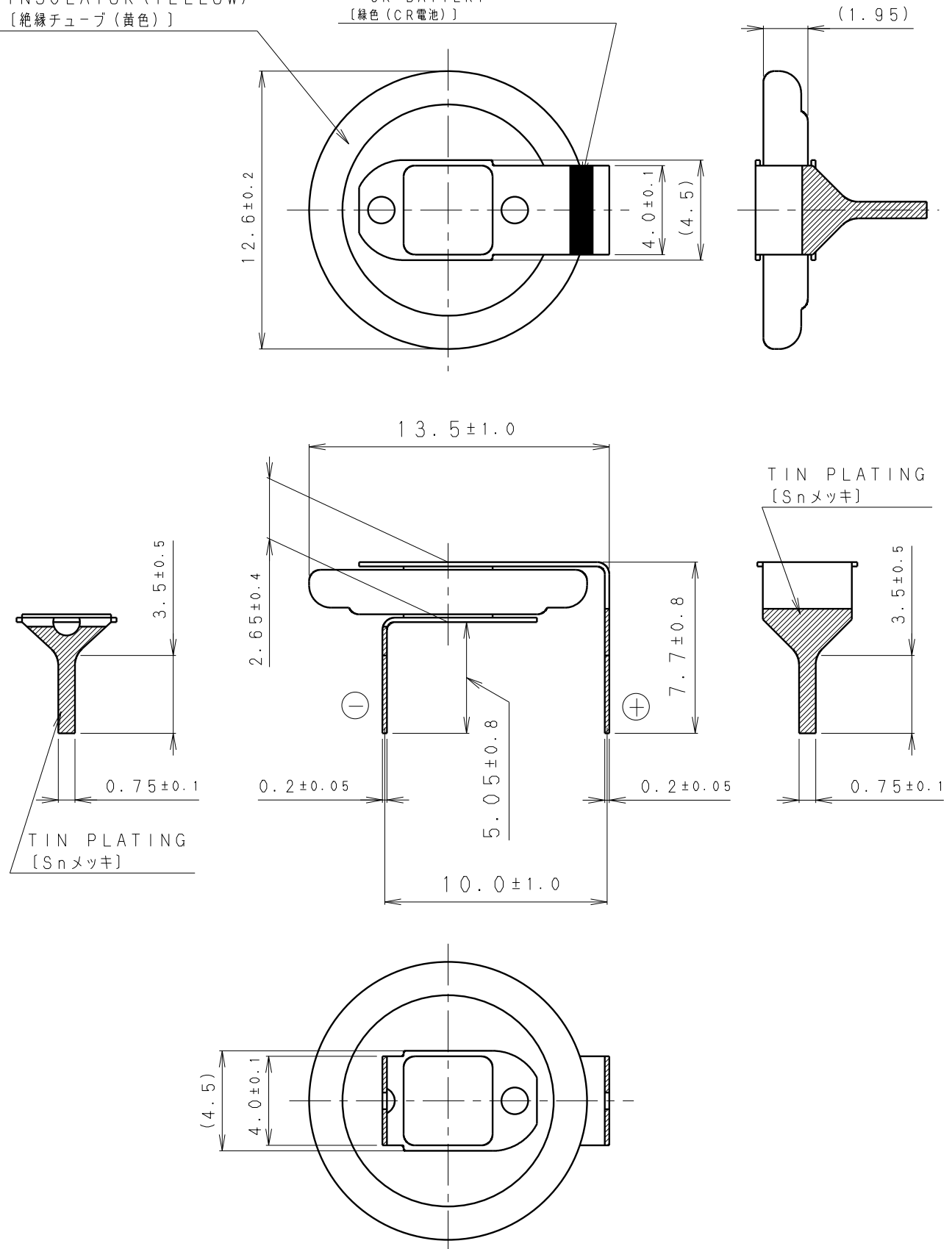




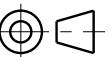
INSULATOR (YELLOW)  
[絶縁チューブ (黄色)]

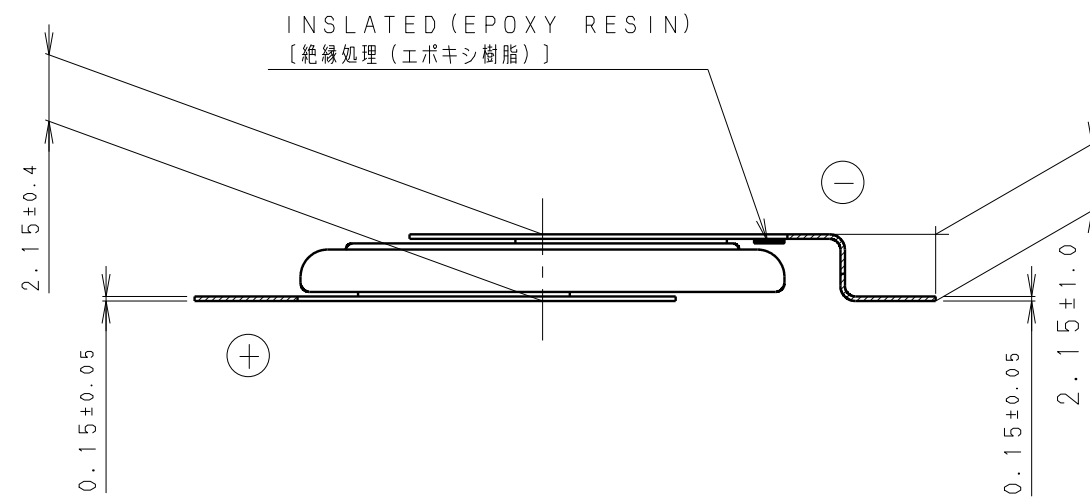
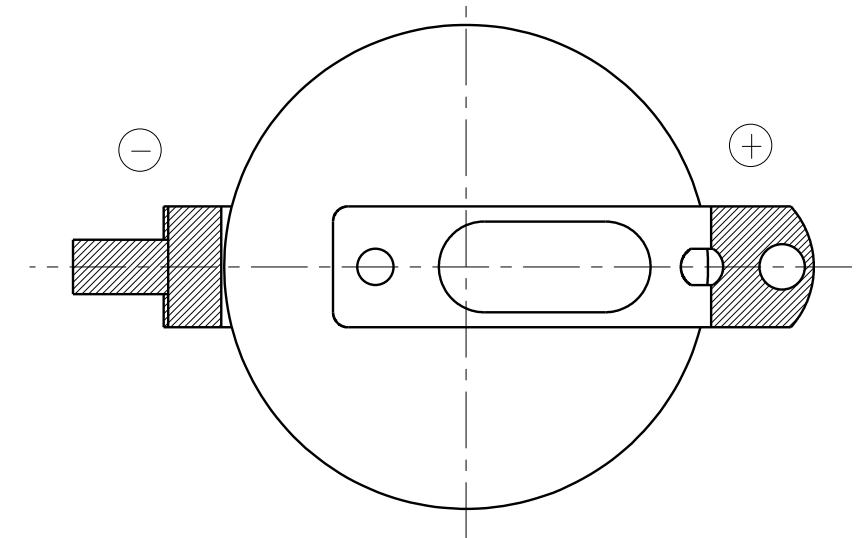
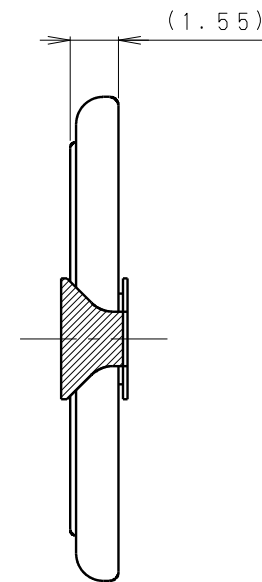
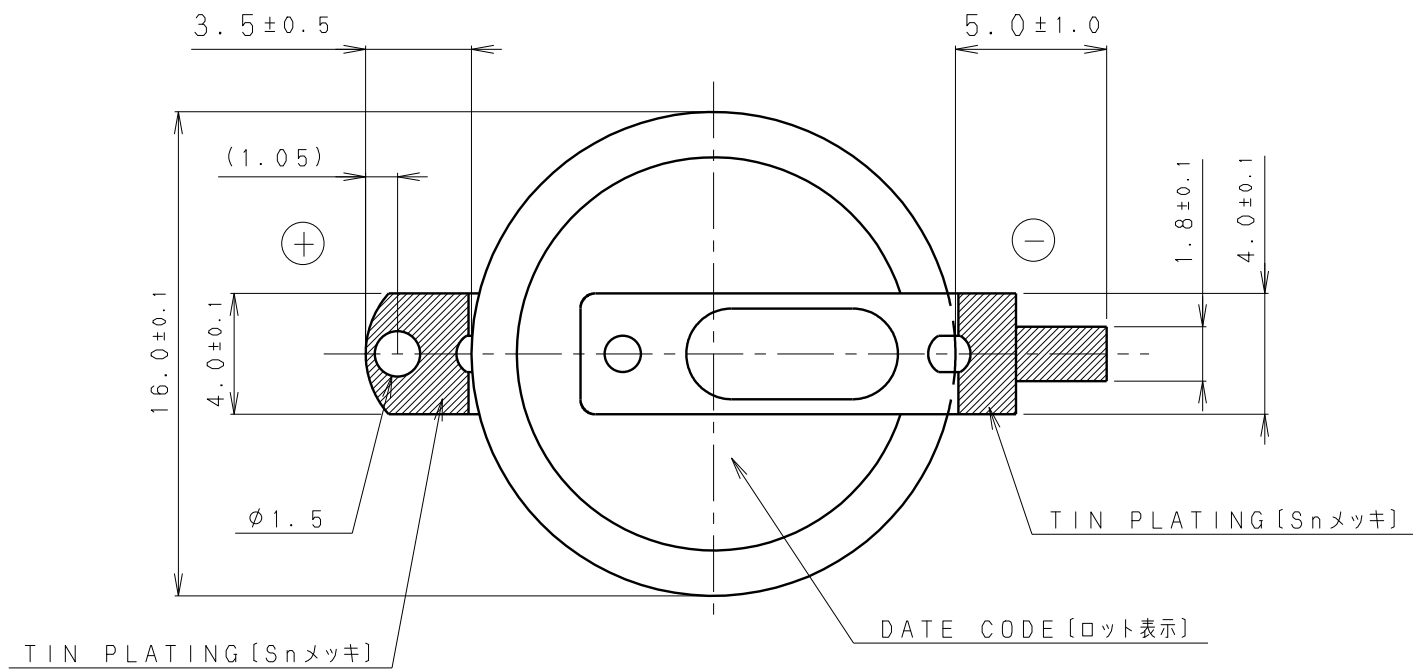
MARKING (GREEN) MEANS  
"CR" BATTERY  
[緑色 (CR電池)]



\* NOTE [注記]

- TAB PULLING STRENGTH OVER 19.6N  
[端子溶接強度: 19.6N以上]
- TAB MATERIAL: STAINLESS STEEL WITH TIN PLATING   
[端子材料: 基材 ステンレス/表面 部分Snメッキ 
- ( ): REFERENCE DIMENSION AND ANGLE  
[ ( ) 寸法、角度は参考値]

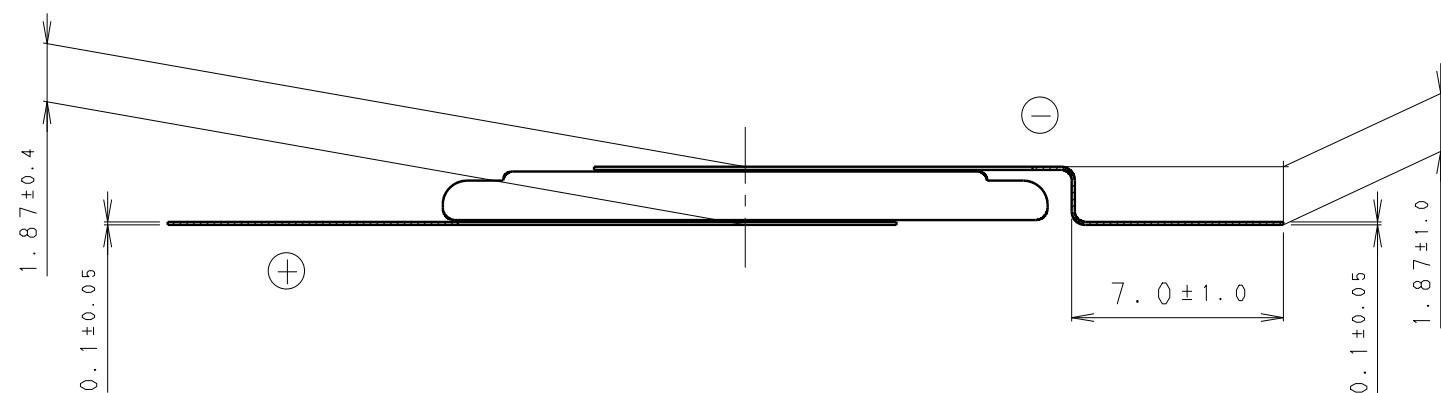
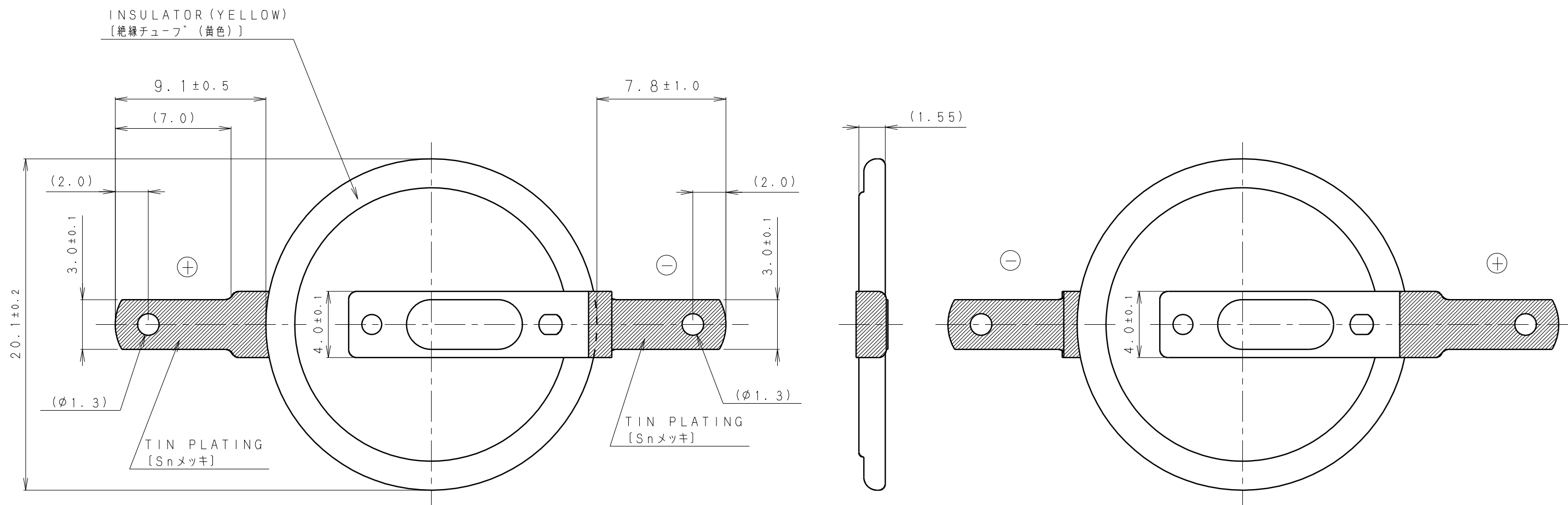
PRODUCT NO.	CR-1220/HFN	SCALE	
		4:1	
DRAWING NO.	JEHA1Z	REV.	
		0	



\* NOTE [注記]

1. TAB PULLING STRENGTH OVER 14.7N [端子溶接強度: 14.7N以上]
2. TAB MATERIAL: STAINLESS STEEL WITH TIN PLATING [端子材料: 基材 ステンレス/表面 部分Snメッキ]
3. ( ): REFERENCE DIMENSION AND ANGLE [ ( ) 寸法、角度は参考値]

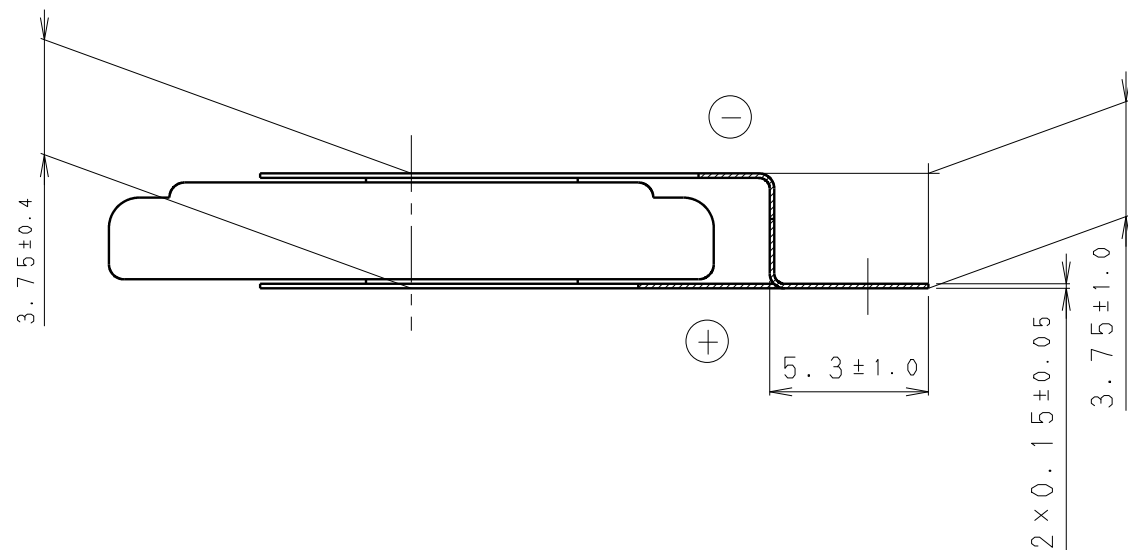
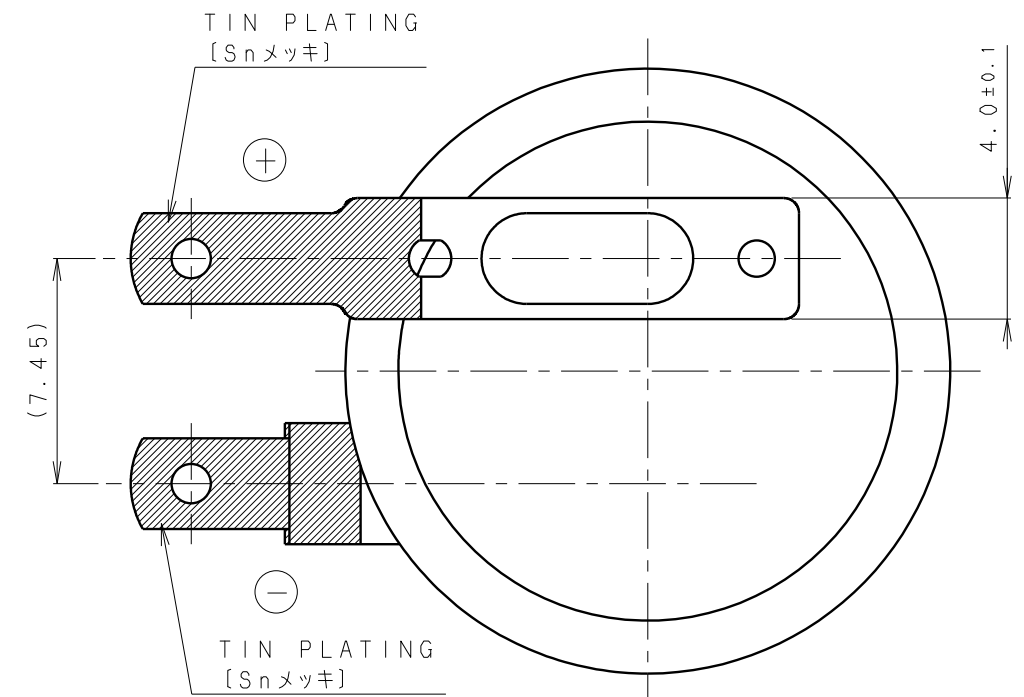
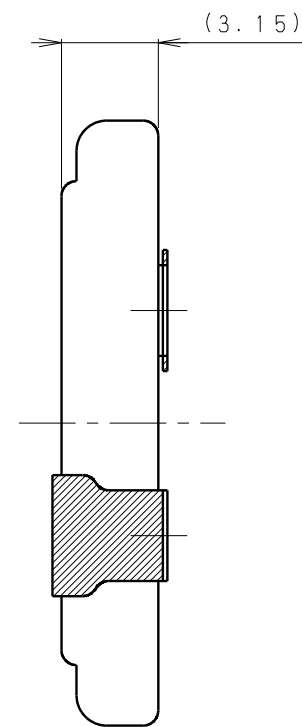
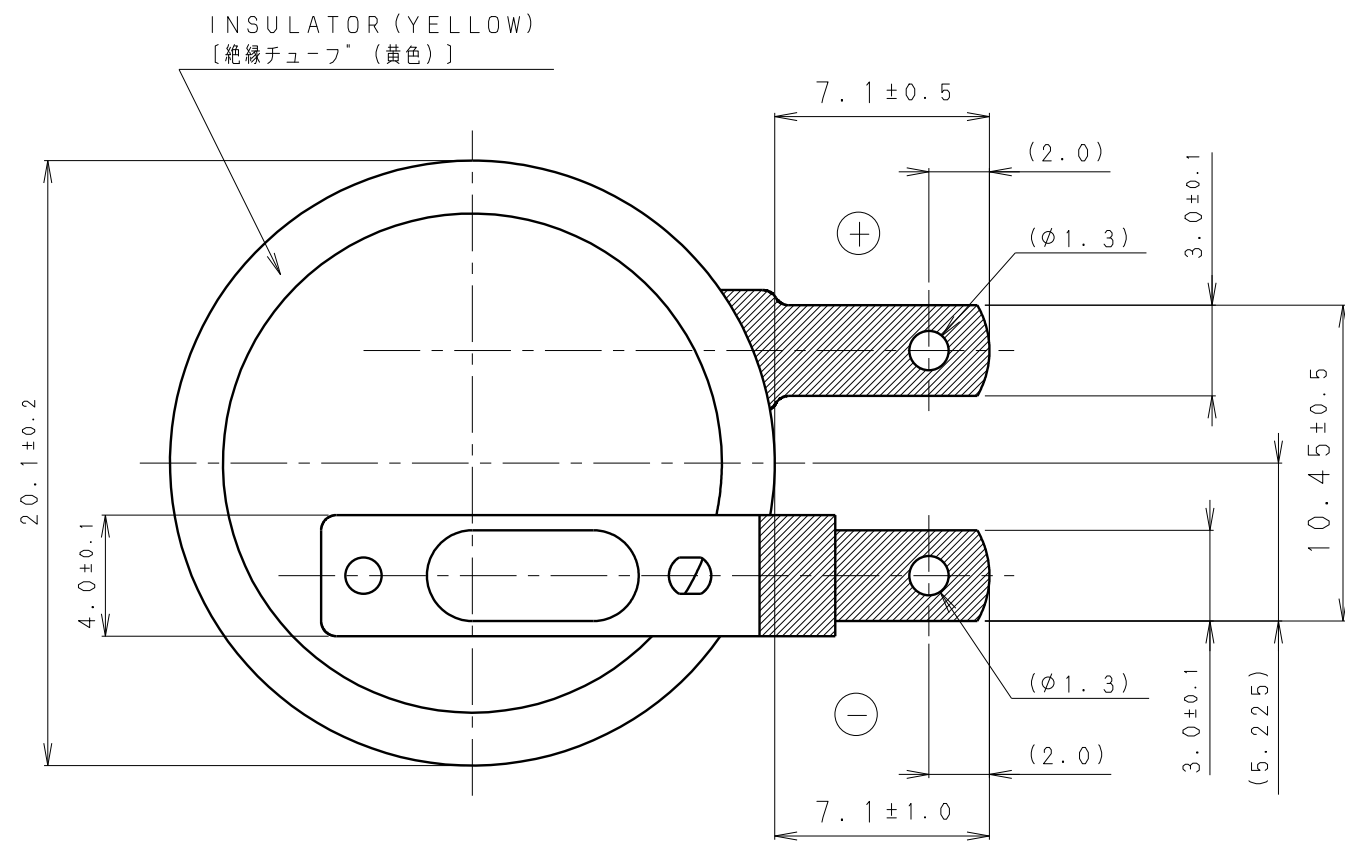
PRODUCT NO.	CR-1616/F2N	SCALE	4:1
DRAWING NO.	M DFA6U	REV.	0
			UNIT:mm



\* NOTE [注記]

1. TAB PULLING STRENGTH OVER 9.8 N [端子溶接強度: 9.8 N以上]
2. TAB MATERIAL: STAINLESS STEEL WITH TIN PLATING [端子材料: 基材 ステンレス/表面 部分Snメッキ]
3. ( ): REFERENCE DIMENSION AND ANGLE [ ( ) 寸法、角度は参考値]

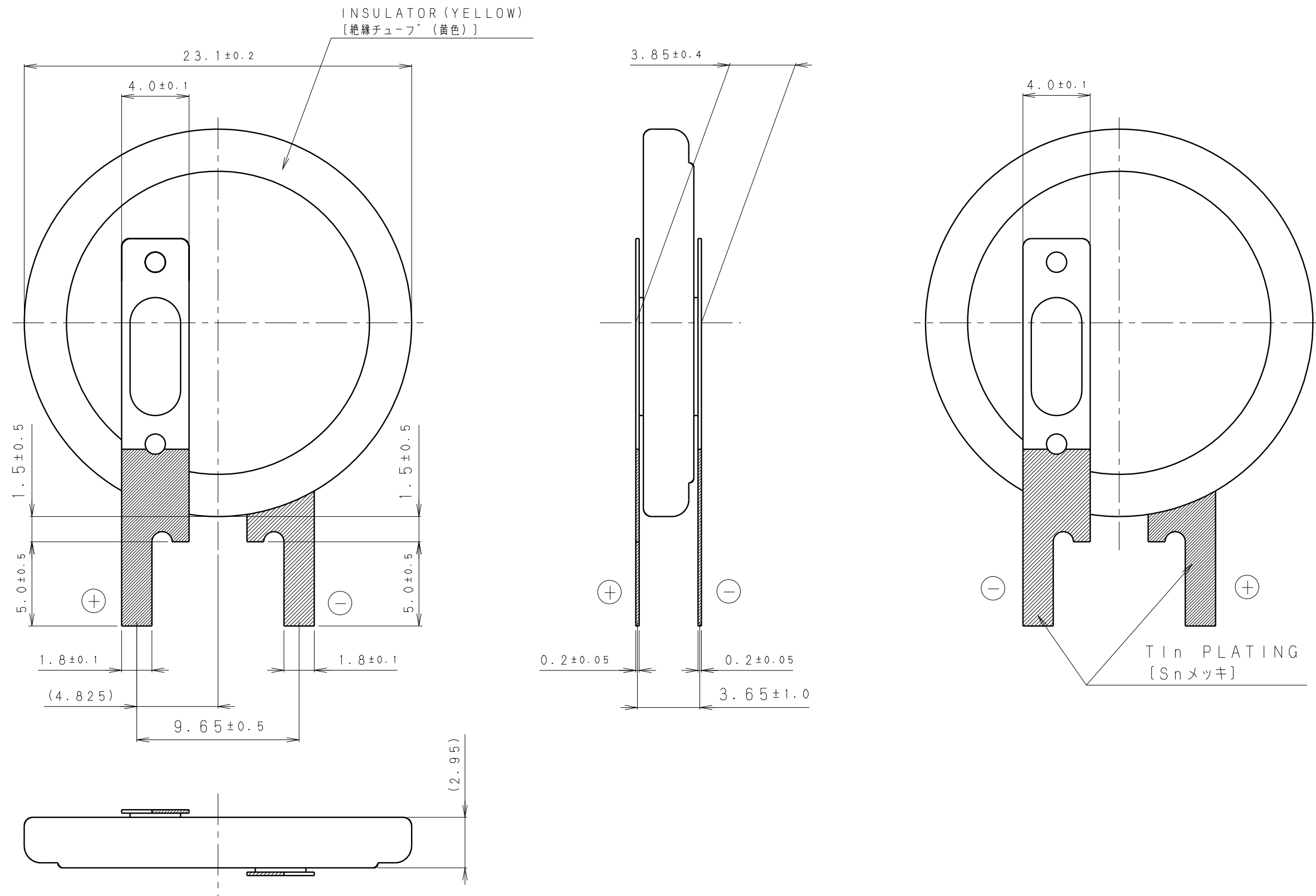
PRODUCT NO.	CR-2016/F2N	SCALE	4:1
DRAWING NO.	PDF A6Z	REV.	0
			UNIT: mm



\* NOTE [注記]

1. TAB PULLING STRENGTH OVER 14.7N [端子溶接強度：14.7N以上]
2. TAB MATERIAL: STAINLESS STEEL WITH TIN PLATING [端子材料：基材 ステンレス/表面 部分Snメッキ]
3. ( ) : REFERENCE DIMENSION AND ANGLE [ ( ) 寸法、角度は参考値]

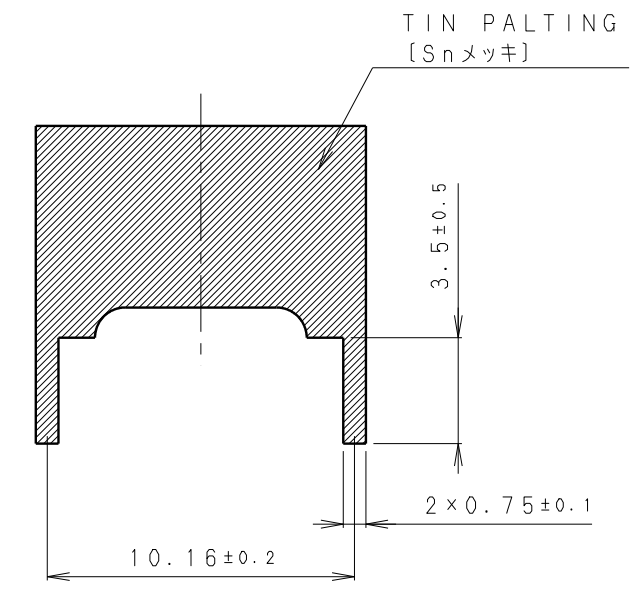
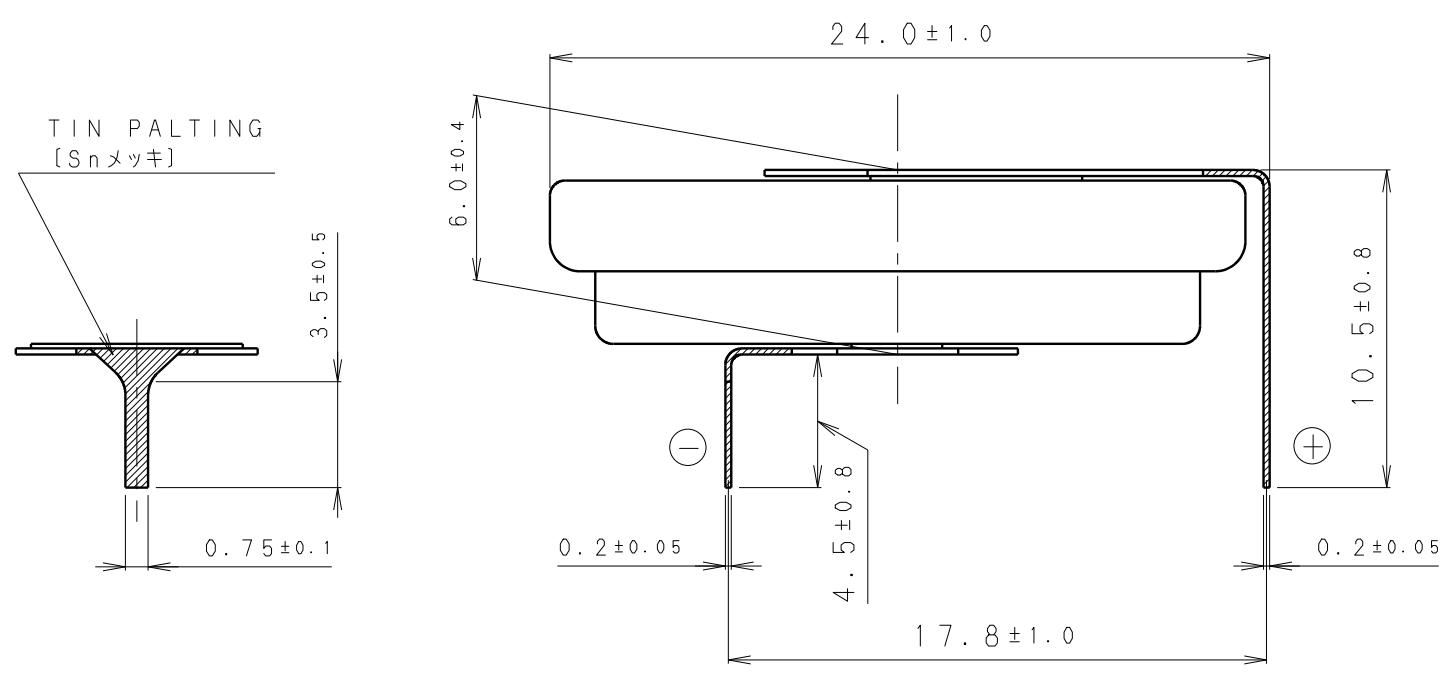
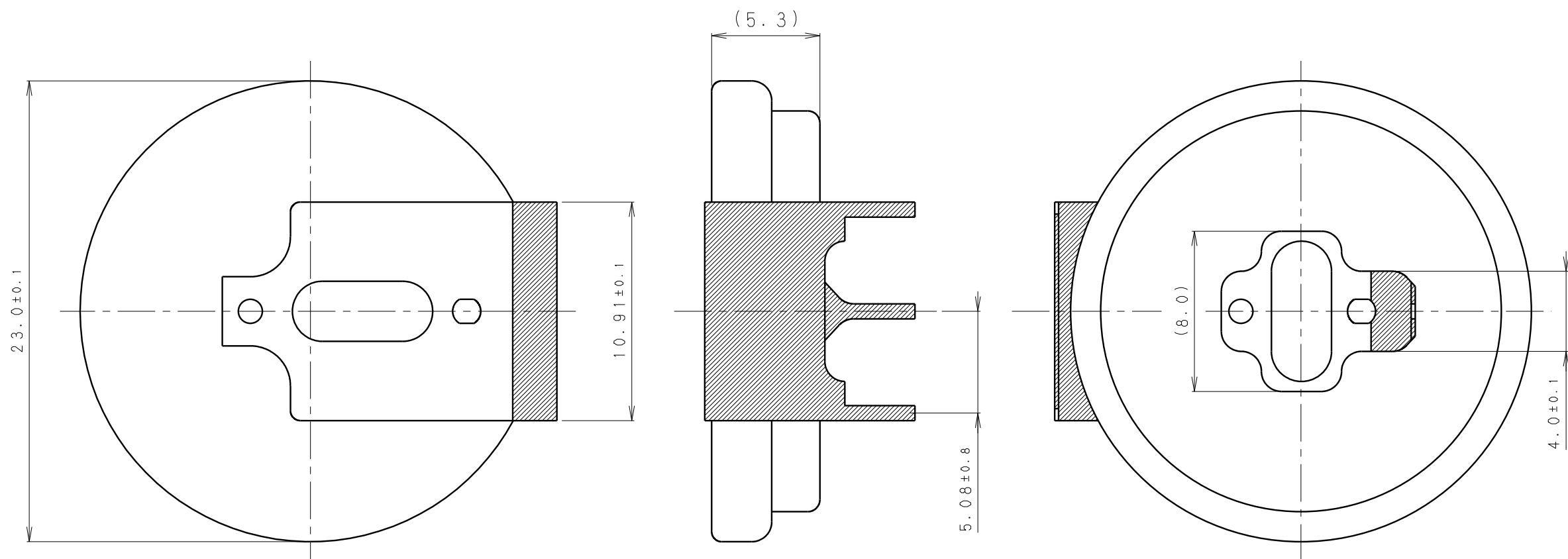
PRODUCT NO.	CR-2032/F4N	SCALE	
		4:1	
DRAWING NO.	PMFB6Z	REV.	UNIT:mm
		0	



\* NOTE [注記]

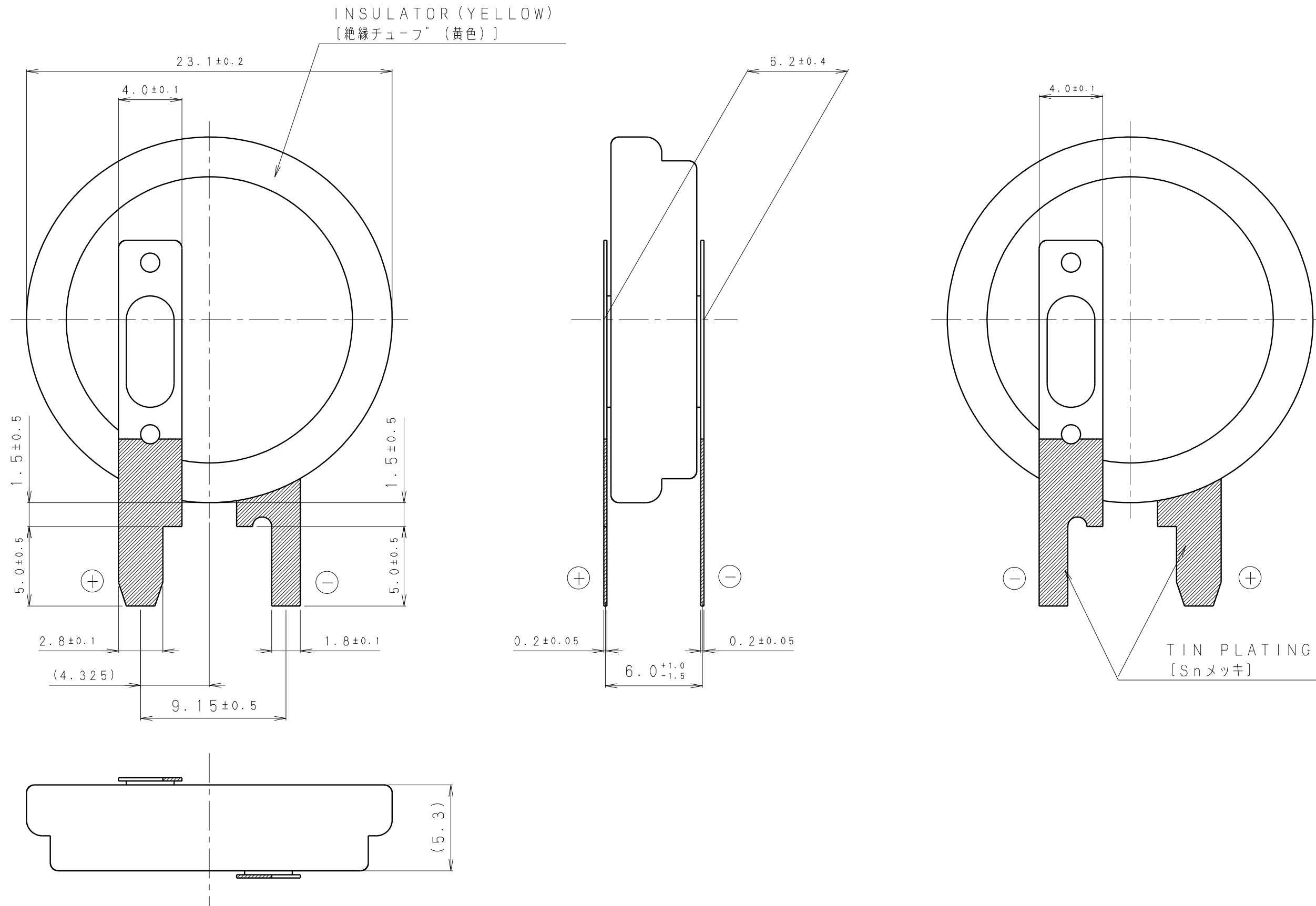
1. TAB PULLING STRENGTH OVER 19.6N [端子溶接強度: 19.6N以上]
2. TAB MATERIAL: STAINLESS STEEL WITH TIN PLATING [端子材料: 基材 ステンレス/表面 部分Snメッキ]
3. ( ): REFERENCE DIMENSION AND ANGLE [( ) 寸法、角度は参考値]

PRODUCT NO.	CR-2330/VCN	SCALE	
		4:1	
DRAWING NO.	QKVA1Z	REV.	UNIT:mm
		0	



- \* NOTE [注記]
1. TAB PULLING STRENGTH OVER 19.6N [端子溶接強度:19.6N以上]
  2. TAB MATERIAL: STAINLESS STEEL WITH TIN PLATING [端子材料:基材 ステンレス/表面 部分Snメッキ]
  3. ( ): REFERENCE DIMENSION AND ANGLE [ ( ) 寸法、角度は参考値]

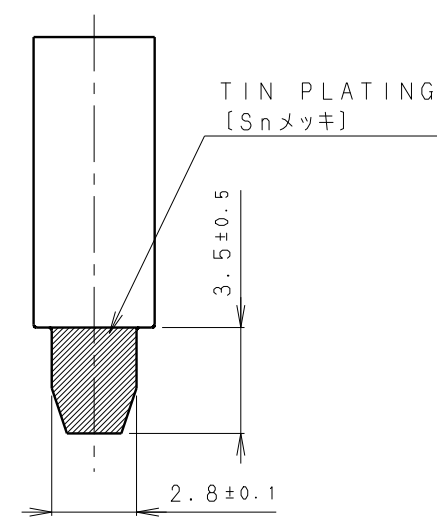
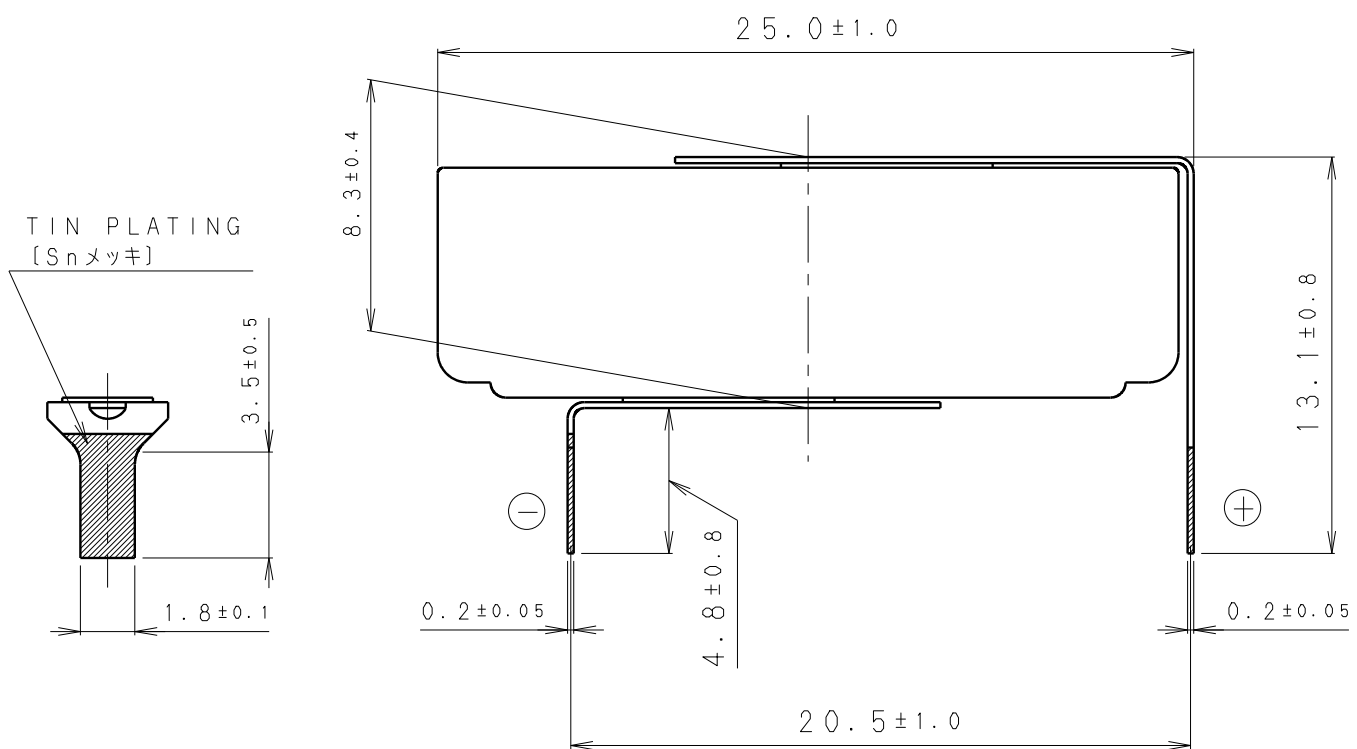
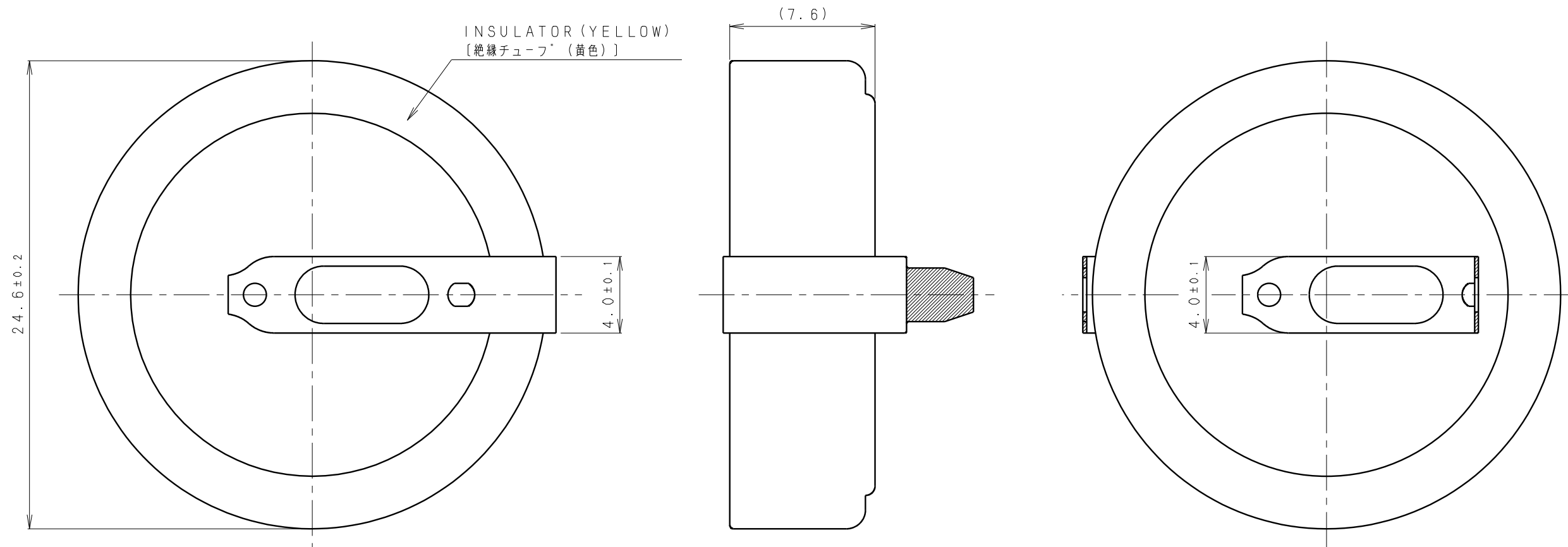
PRODUCT NO.	CR-2354/GUN	SCALE	4:1
DRAWING NO.	QVGB1N	REV.	0
			UNIT:mm



\* NOTE [注記]

1. TAB PULLING STRENGTH OVER 19.6N [端子溶接強度: 19.6N以上]
2. TAB MATERIAL: STAINLESS STEEL WITH TIN PLATING [端子材料: 基材 ステンレス/表面 部分Snメッキ]
3. ( ): REFERENCE DIMENSION AND ANGLE [ ( ) 寸法、角度は参考値]

PRODUCT NO.	CR-2354/VCN	SCALE	4:1
DRAWING NO.	QVVA1Z	REV.	0
			UNIT: mm

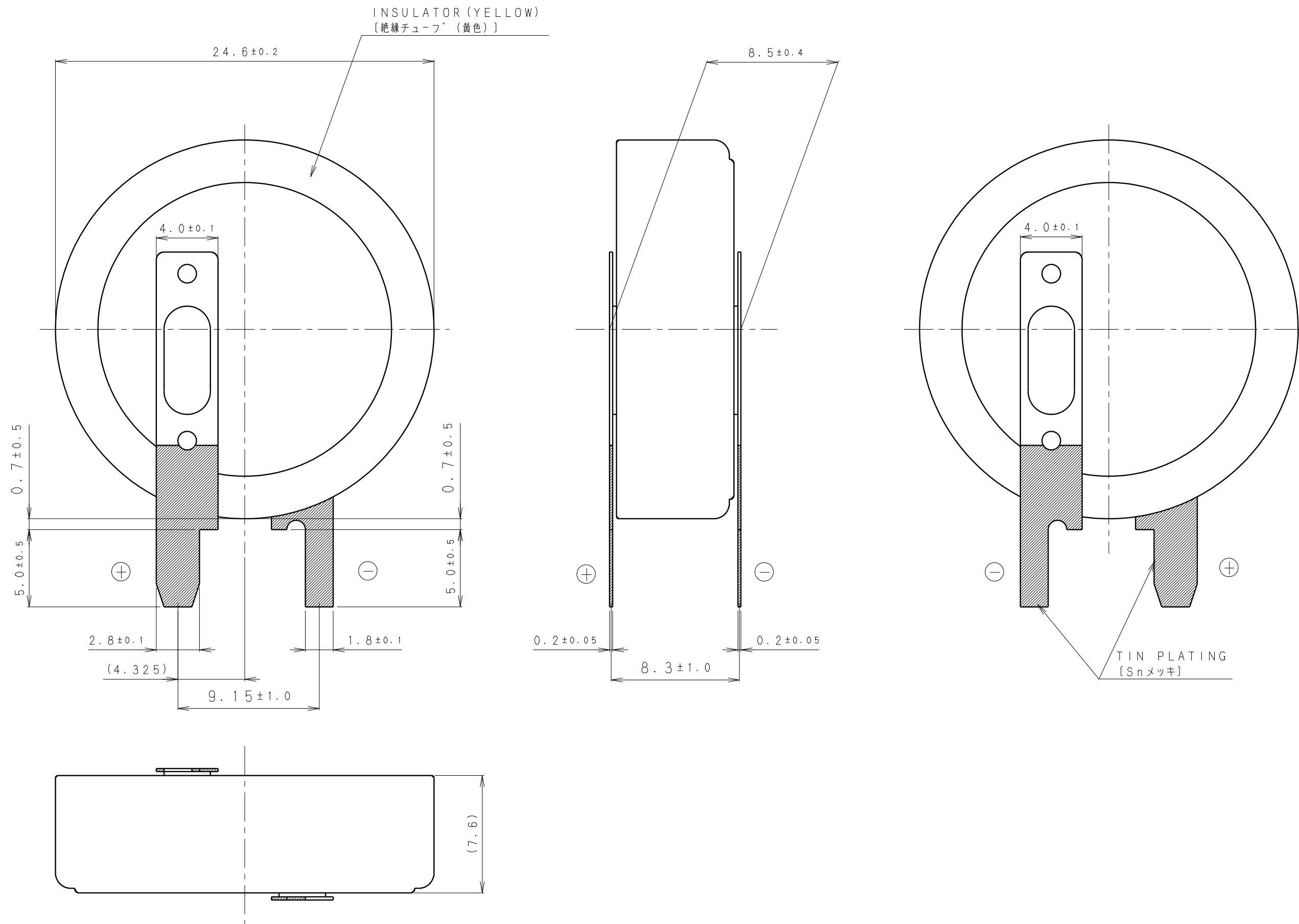


\* NOTE [注記]

1. TAB PULLING STRENGTH OVER 19.6N [端子溶接強度: 19.6N以上]
2. TAB MATERIAL: STAINLESS STEEL WITH TIN PLATING [端子材料: 基材 ステンレス/表面 部分Snメッキ]
3. ( ): REFERENCE DIMENSION AND ANGLE [ ( ) 寸法、角度は参考値]

PRODUCT NO.	CR-2477/HFN	SCALE	4:1
DRAWING NO.	RXHA1Z	REV.	0
			UNIT: mm





\* NOTE [注記]

1. TAB PULLING STRENGTH OVER 19.6N [端子溶接強度: 19.6N以上]
2. TAB MATERIAL: STAINLESS STEEL WITH TIN PLATING [端子材料: 基材 ステンレス/表面 部分Snメッキ]
3. ( ): REFERENCE DIMENSION AND ANGLE [( ) 寸法、角度は参考値]

PRODUCT NO.	CR-2477/VCN	SCALE	4:1
DRAWING NO.	RXVA1Z	REV.	0
		UNIT:mm	