

Specifications continued

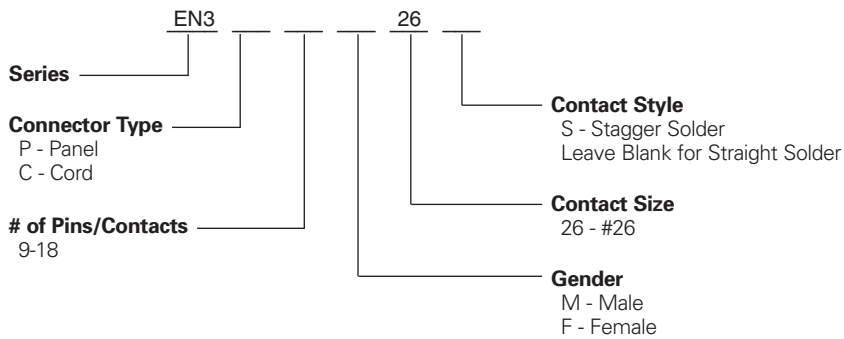
Environmental

- Temperature Limits: -40°C to +65°C (non-operating)
- Moisture Resistance: Mil-Std 202 Method 106F
- Insulation Resistance: Mil-Std 202 Method 302 condition B
- Thermal Shock: Mil-Std 202 Method 107G
- Salt Spray: Mil-Std 202 Method 101D condition B

Ratings

- IP16/IP18
- IP66/IP68
- NEMA 250 (6P)
- CFR 46 Part 110.20
- UL 94V-O

Ordering information



See Engineering Design Guide or website for details on the complete EN3 product line. The EN3 Series is available in a wide assortment of pin counts, configurations, plating materials, and styles. Contact the factory for details.