

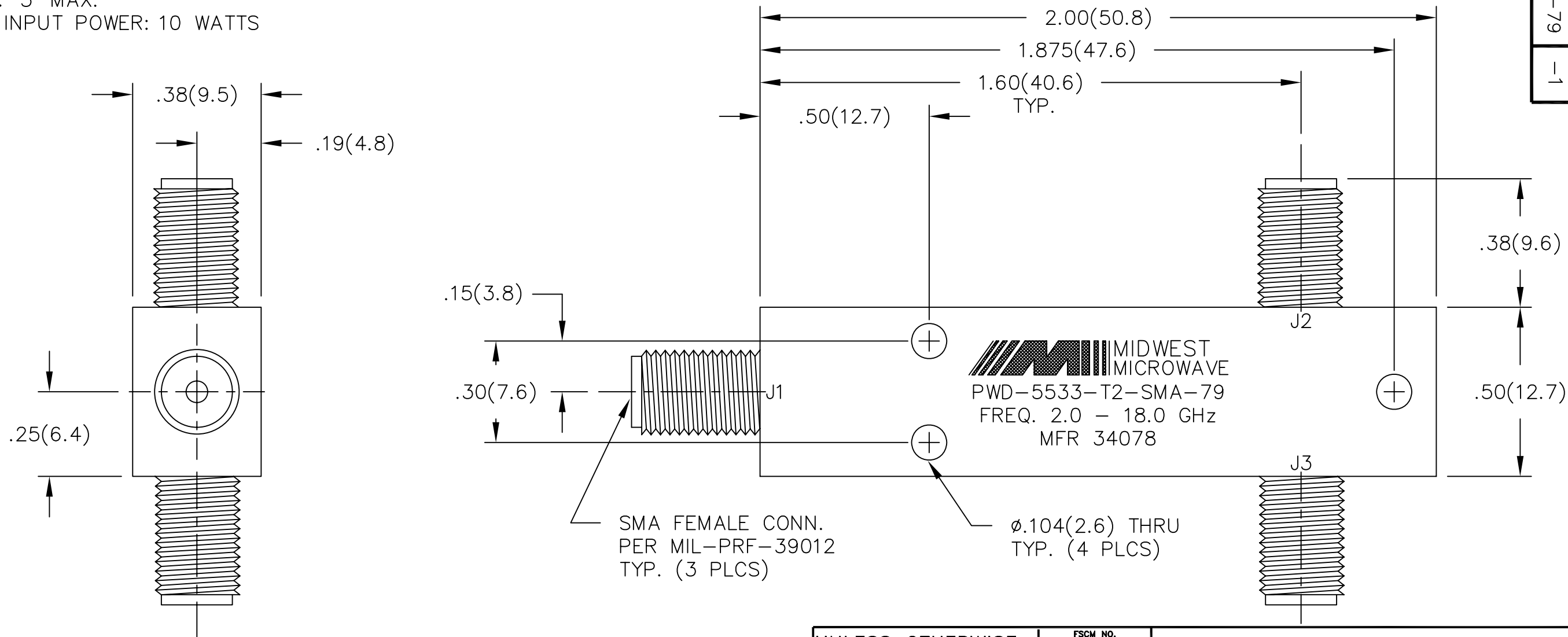
NOTES:

- 1.0 ELECTRICAL SPECIFICATIONS:
- 1.1 FREQUENCY RANGE: 2.0 – 18.0 GHz
- 1.2 INSERTION LOSS: 0.8dB
- 1.3 ISOLATION: 15dB MIN.
- 1.4 VSWR (MAX): 1.50:1
- 1.5 OUTPUT UNBALANCE:
- 1.5.1 AMPLITUDE: 0.3dB MAX.
- 1.5.2 PHASE: 5° MAX.
- 1.6 MAXIMUM INPUT POWER: 10 WATTS

- 2.0 FINISH:
- 2.1 GREY PER MIL-E-15090 TYPE II ,
CLASS 2 OVER MIL-C-5541
CLASS 3A
MEETS MIL-F-14072
MEETS MIL-E-5400
- 2.2 MARKING: MARK UNIT AS SHOWN
(REF.: SLK-08064-82-02)

- 3.0 DIMENSIONS IN PARENTHESIS ARE
IN MILLIMETERS.
- 4.0 WEIGHT: 47 GRAMS MAX.

MODEL NUMBER
PWD-5533-T2-SMA-79
REV.
-1



DATE	6/10/97	7/20/05
DESCRIPTION	RELEASED	ADDED TITLEBLOCK
REV.	-	-1

UNLESS OTHERWISE NOTED DIMENSIONS ARE IN INCHES AND TOLERANCES ARE: 3 PLACE DECIMALS ±.005 2 PLACE DECIMALS ±.02 FRACTIONS ±1/64 PARALLELITY: T.I.R. _____ FLATNESS: T.I.R. _____ CONCENTRICITY: T.I.R. _____ ANGLES AND PERPENDICULARITY: ±1°	FSCM NO. 34078	MIDWEST MICROWAVE	
	NOTICE: The information contained in this drawing is proprietary and must not be used without the permission of Midwest Microwave		TITLE POWER DIVIDER
DRAWN/DATE J. VERNON 8/6/97	ENG./DATE P. GOODMAN 6/6/97	DRAWING NUMBER PWD-5533-T2-SMA-79	
CHECKED/DATE	APPROVED/DATE	SCALE: 3=1	SHEET 1 of 1