

MATERIALS AND FINISHES

BODY, REAR BODY, JAM NUT, LOCKWASHER BRASS
PLATED NICKEL

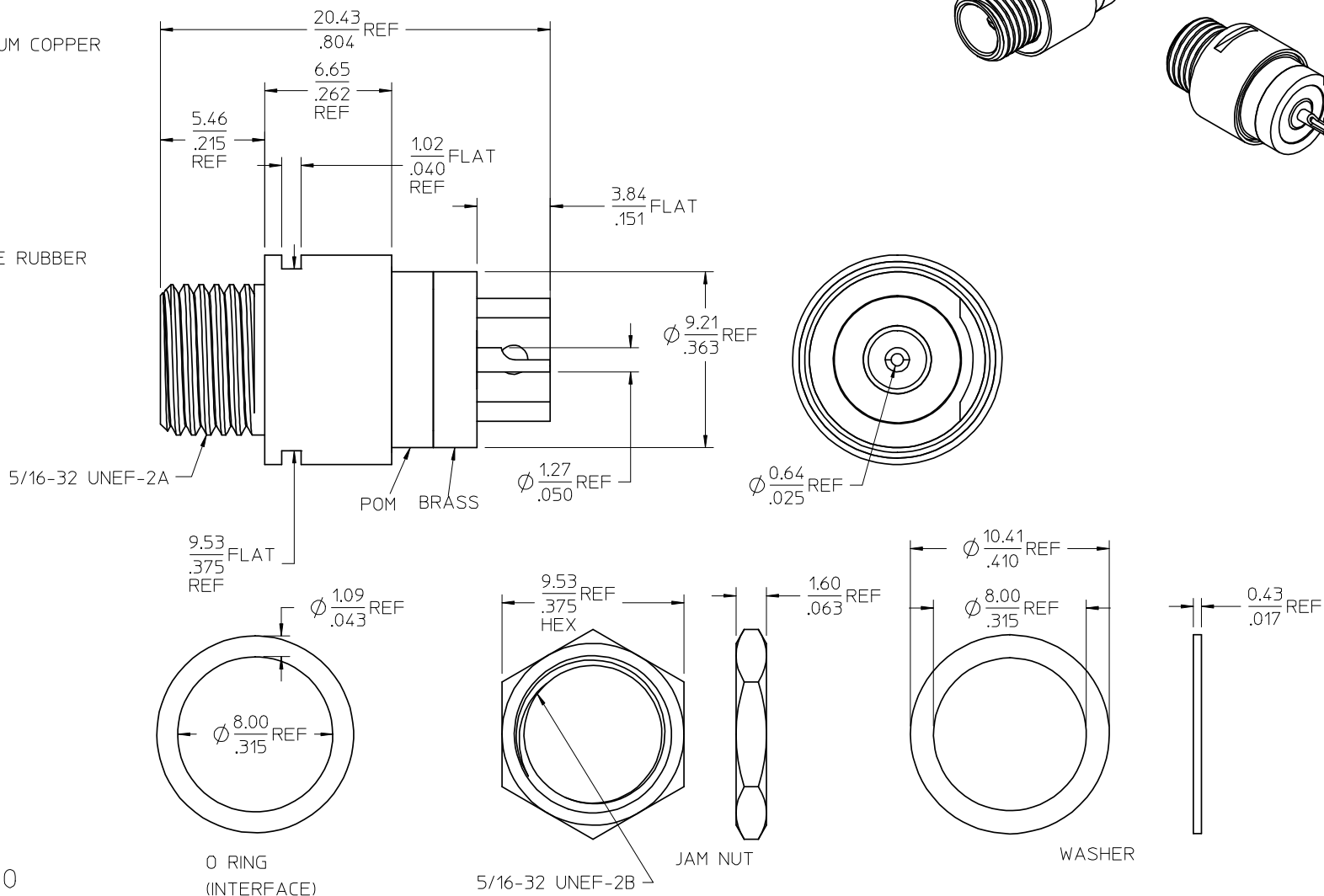
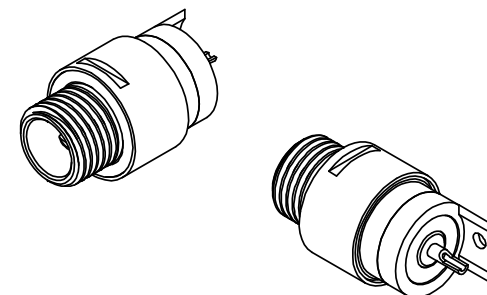
CENTER CONTACT BERYLLIUM COPPER
OR PHOSPHOR BRONZE
PLATED SILVER

INSULATOR TEFLON

ISOLATION BODY POM

O RING (INTERNAL) SILICONE RUBBER

O RING (INTERFACE) VITON



PART # 73415-6580

O RING
(INTERFACE)

5/16-32 UNEF-2B

JAM NUT

WASHER

CHG: REMOVED SLEEVE ADDED O-RING DIA EC NO: URF2009-0039 2008/07/24 DRWN: WIENER 2008/07/24 CHKD: JYL 2008/07/24 APPR: WIENER 2008/07/24	QUALITY SYMBOLS ▽=0 ▽=0	GENERAL TOLERANCES (UNLESS SPECIFIED) mm INCH 4 PLACES ± --- ± --- 3 PLACES ± --- ± --- 2 PLACES ± --- ± --- 1 PLACE ± --- ± --- ANGULAR ± 2 °	DIMENSION STYLE MM/IN DRAWN BY DATE TEF 2007/09/18 CHECKED BY DATE SSS 2007/09/18 APPROVED BY DATE JDW 2007/09/18	SCALE DESIGN UNITS METRIC THIRD ANGLE PROJECTION	TITLE POWER CONNECTOR EWR-3434 M-M
		DRAFT WHERE APPLICABLE MUST REMAIN WITHIN DIMENSIONS	MATERIAL NO. 734156580	DOCUMENT NO. SD-73415-658	SHEET NO. 1 OF 1
		SIZE C	THIS DRAWING CONTAINS INFORMATION THAT IS PROPRIETARY TO MOLEX INCORPORATED AND SHOULD NOT BE USED WITHOUT WRITTEN PERMISSION		
		MOLEX INCORPORATED			