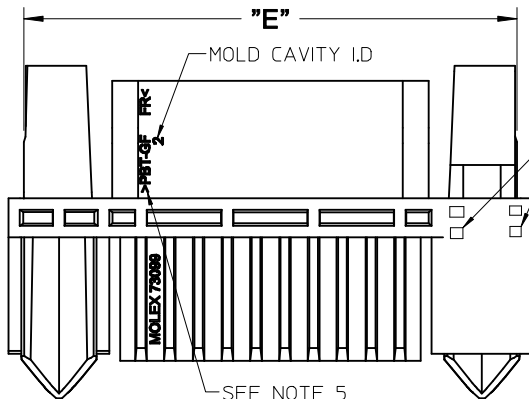


SECTION A-A



DATE CODE  
SEE NOTE 4

NOTES:

1. MATERIAL:  
HOUSING: GLASS FILLED POLYESTER UL 94V-0, COLOR BLACK.  
TERMINAL: BERYLLIUM COPPER
2. PLATING:  
1.27 MICROMETER MINIMUM GOLD PLATE ON CANTILEVER AREA,  
0.38 MICROMETER MINIMUM GOLD PLATE ON SELECT SL TAIL AREA  
NICKEL PLATE OVER ALL.
3. PRODUCT CONFORMS TO PS-73099-\*\*\*\*.
4. HOT STAMP DATE CODE IS WEEK, YEAR.
5. RECYCLING LOGO TO APPEAR WHERE ROOM IS AVAILABLE.
6. SEE SHEET 2 FOR PANEL MOUNTING AND MATING DETAILS.
7. 73099-\*\*\*\* CONNECTOR ALSO MATES WITH "SL" SERIES 70066,  
70400 AND 70430.
8. PACKAGING SPECIFICATION PK-70873-1000

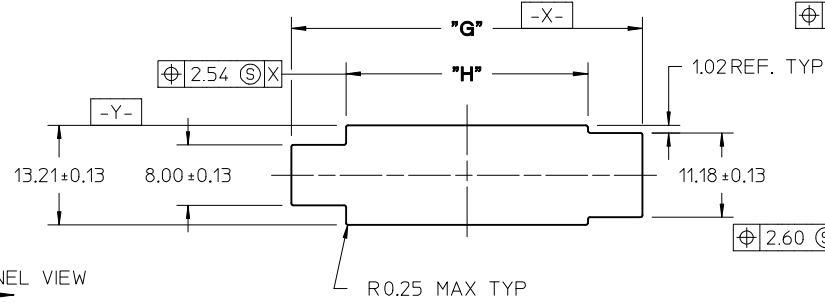
PART NUMBERS	CKT. SIZE	DIM. "A"	DIM. "B"	DIM. "C"	DIM. "D"	DIM. "E"	DIM. "F"
73099-3004	04	30.99	22.10	7.62	10.67	28.27	12.70
73099-3005	05	33.53	24.64	10.16	13.21	30.81	15.24
73099-3006	06	36.07	27.18	12.70	15.75	33.35	17.78
73099-3007	07	38.61	29.72	15.24	18.29	35.89	20.32
73099-3008	08	41.15	32.26	17.78	20.83	38.43	22.86
73099-3009	09	43.67	34.80	20.32	23.37	38.43	25.40
73099-3010	10	46.23	37.74	22.86	25.91	43.51	27.94
73099-3011	11	48.77	39.89	25.40	28.45	46.05	30.48
73099-3012	12	51.31	42.42	27.94	30.99	48.59	33.02

FIX TYPO TO MATCH TOOLING EC NO: UCP2016-2384 DRWNSVANG01 2015/12/11 CHKDKACAIN 2015/12/11 APPR:SMILLER 2015/12/18	QUALITY SYMBOLS ∇=0 ∇=0 ∇=0	GENERAL TOLERANCES (UNLESS SPECIFIED)		DIMENSION STYLE <b>MM ONLY</b>		SCALE 3:1	DESIGN UNITS METRIC	THIRD ANGLE PROJECTION	
		4 PLACES ± --- ± ---	3 PLACES ± --- ± ---	2 PLACES ± 0.25 ± ---	1 PLACE ± 0.38 ± ---	0 PLACE ± --- ± ---	DRAWN BY GES 2015/02/18	CHECKED BY MCAIN 2015/02/20	APPROVED BY SMILLER 2015/03/10
		ANGULAR ±1/2°		MATERIAL NO. <b>SEE TABLE</b>		DOCUMENT NO. SD-73099-3000	CYCLONE "SL" DRAWER CONNECTOR SALES ASSEMBLY <b>molex</b>		
		DRAFT WHERE APPLICABLE MUST REMAIN WITHIN DIMENSIONS		SIZE C		THIS DRAWING CONTAINS INFORMATION THAT IS PROPRIETARY TO MOLEX INCORPORATED AND SHOULD NOT BE USED WITHOUT WRITTEN PERMISSION			SHEET NO. 1 OF 2

PANEL DIMENSIONS			
CKT. SIZE	DIM. "G"	DIM. "H"	DIM. "I"
04	31.24	16.76	28.65
05	33.78	19.30	31.19
06	36.32	21.84	33.73
07	38.86	24.38	36.27
08	41.40	26.92	38.81
09	43.94	29.46	41.35
10	46.48	32.00	43.89
11	49.02	34.54	46.43
12	51.56	37.08	48.97

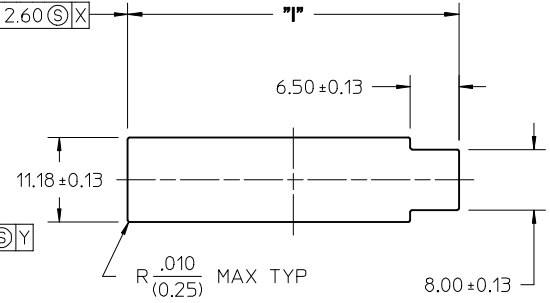
### FLOATING PANEL VIEW

VIEW FROM PUNCH SIDE  
(SCALE 2:1)



### NON-FLOATING PANEL VIEW

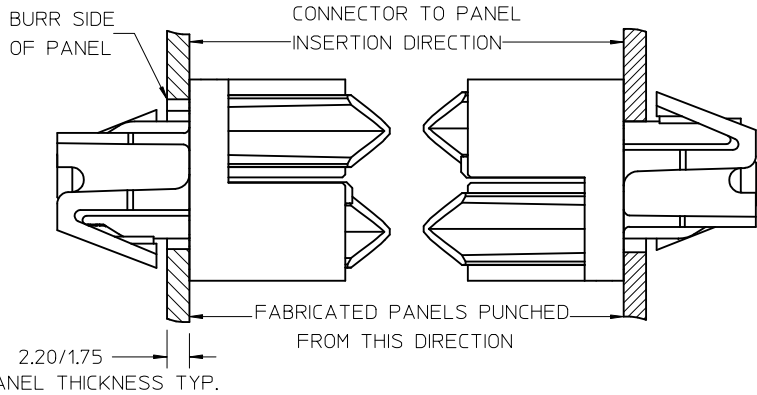
VIEW FROM PUNCH SIDE  
(SCALE 2:1)



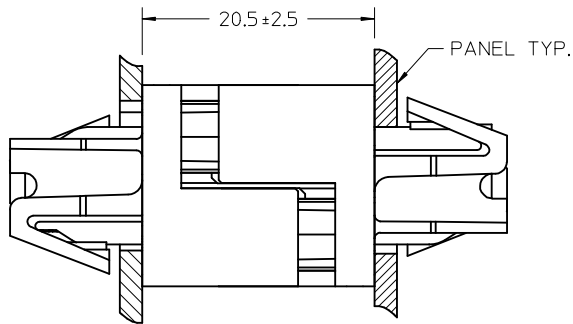
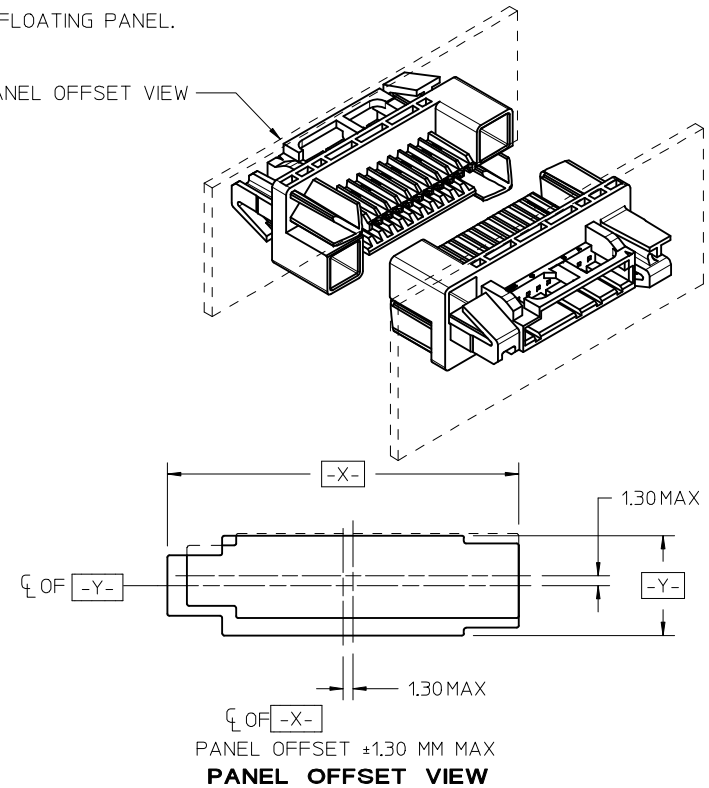
NOTE: MATING SYSTEM MUST USE A FLOATING PANEL IN CONJUNCTION WITH A NON FLOATING PANEL.

### FLOAT PANEL VIEW

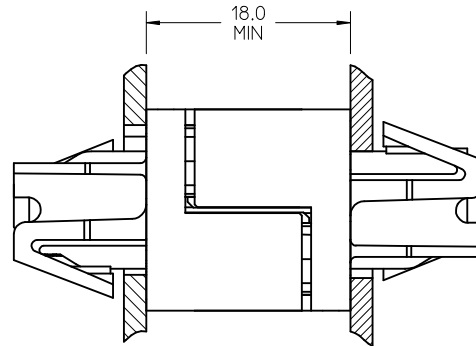
### NON - FLOAT PANEL VIEW



### PANEL OFFSET VIEW



**OPERATING PANEL CLOSURE DIMENSIONS**



**FULLY CLOSED CONNECTOR**

<b>SEE SHEET 1</b> EC NO: UCP2016-2384 DRWNSVANG01 2015/12/11 CHKD:MCAIN 2015/12/11 APPR:SMILLER 2015/12/18 REV	QUALITY SYMBOLS $\nabla = 0$ $\nabla = 0$ $\nabla = 0$	GENERAL TOLERANCES (UNLESS SPECIFIED) <table border="1"> <thead> <tr> <th></th> <th>mm</th> <th>INCH</th> </tr> </thead> <tbody> <tr><td>4 PLACES</td><td><math>\pm</math> ---</td><td><math>\pm</math> ---</td></tr> <tr><td>3 PLACES</td><td><math>\pm</math> ---</td><td><math>\pm</math> ---</td></tr> <tr><td>2 PLACES</td><td><math>\pm 0.25</math></td><td><math>\pm</math> ---</td></tr> <tr><td>1 PLACE</td><td><math>\pm 0.38</math></td><td><math>\pm</math> ---</td></tr> <tr><td>0 PLACE</td><td><math>\pm</math> ---</td><td><math>\pm</math> ---</td></tr> </tbody> </table>		mm	INCH	4 PLACES	$\pm$ ---	$\pm$ ---	3 PLACES	$\pm$ ---	$\pm$ ---	2 PLACES	$\pm 0.25$	$\pm$ ---	1 PLACE	$\pm 0.38$	$\pm$ ---	0 PLACE	$\pm$ ---	$\pm$ ---	DIMENSION STYLE <b>MM ONLY</b>	SCALE <b>3:1</b>	DESIGN UNITS <b>METRIC</b>	THIRD ANGLE PROJECTION
		mm	INCH																					
	4 PLACES	$\pm$ ---	$\pm$ ---																					
	3 PLACES	$\pm$ ---	$\pm$ ---																					
2 PLACES	$\pm 0.25$	$\pm$ ---																						
1 PLACE	$\pm 0.38$	$\pm$ ---																						
0 PLACE	$\pm$ ---	$\pm$ ---																						
DRAFT WHERE APPLICABLE MUST REMAIN WITHIN DIMENSIONS	ANGULAR $\pm 1/2^\circ$	MATERIAL NO. <b>SEE TABLE</b>	DRAWN BY GES	DATE 2015/02/18	TITLE <b>CYCLONE "SL" DRAWER CONNECTOR SALES ASSEMBLY</b>	DOCUMENT NO. <b>SD-73099-3000</b>																		
SIZE <b>C</b>	THIS DRAWING CONTAINS INFORMATION THAT IS PROPRIETARY TO MOLEX INCORPORATED AND SHOULD NOT BE USED WITHOUT WRITTEN PERMISSION	APPROVED BY SMILLER	DATE 2015/03/10	SHEET NO. <b>2 OF 2</b>	<b>molex</b>																			