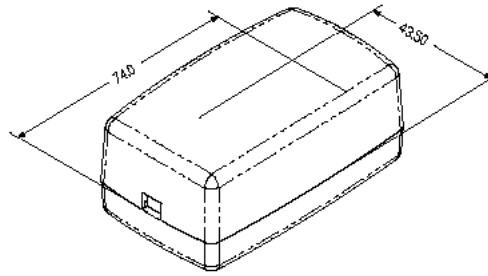
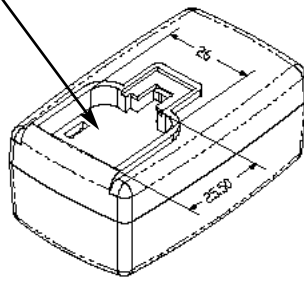


PROPRIETARY INFORMATION: PROPRIETARY OF GLOBTEK, INC. ANY REPRODUCTION, DISCLOSURE OR USE OF THIS DRAWING, IN WHOLE OR IN PART, IS HEREBY PROHIBITED EXCEPT AS SPECIFIED IN WRITING BY GLOBTEK, INC.	REVISION			
	REV	DESCRIPTION	DATE	APPROVED
	A	INITIAL RELEASE, RFS.12486, SO	11/20/07	HM
	B	UPDATE COLOR CODE, RFS. 20843, JS	05/02/11	HM



STANDARD OPTION SHIPS WITHOUT AC PINS INSTALLED



1. MATERIAL

HIGH IMPACT PLASTIC, 94V0 POLYCARBONATE, NON-VENTED, COLOR GLOBTEK WHITE 057

2. INPUT CONNECTOR:

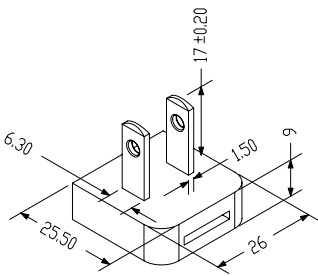
1. CLASS II MODEL NEMA 1-15P AC POWER RECEPTACLE WITH 2 PRONGS - COLOR GLOBTEK WHITE 057
2. AUSTRALIAN CONFIGURATION: SAA 2 PINS CLASS II - COLOR GLOBTEK WHITE 057
3. UK CONFIGURATION: UK 2 PINS CLASS II - COLOR GLOBTEK WHITE 057
4. EUROPEAN CONFIGURATION: EUROPLUG 2 PINS, CLASS II - COLOR GLOBTEK WHITE 057

1

2

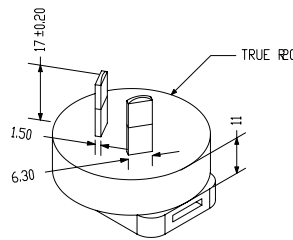
3

4



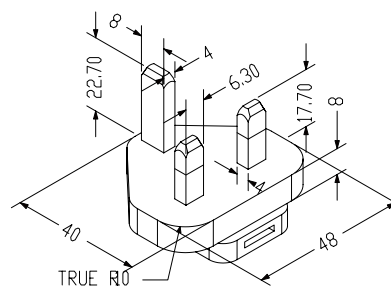
P/N: Q-NA(R)
 NORTH AMERICA
 JAPAN
 CHINA

Q-NA-WH(R)



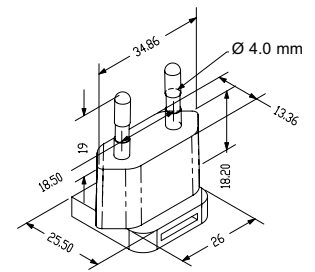
P/N: Q-SAA(R)
 AUSTRALIA
 CHINA

Q-SAA-WH(R)



P/N: Q-UK(R)
 UNITED KINGDOM
 HONG KONG
 SINGAPORE

Q-UK-WH(R)



P/N: Q-EU(R)
 EUROPE
 SOUTH AMERICA

Q-EU-WH(R)

Foot Note:
 Globtek Inc. will not be liable for the safety and performance of these power supplies if unauthorized access and repair occurs. End user should consult applicable UL, CSA or EN standards for proper installation instructions

Limitation of Use:
 Globtek product are not authorized for use as mission critical components in life support, hazardous environment, nuclear or aircraft applications without prior written approval from the CEO of Globtek Inc.

DASH NO.	PART NO	REV.	DESCRIPTION	NOTES
TABULATION BLOCK				
		TOLERANCES: DECIMALS ANGULAR .xx +/- 0.1 +/- 1' .xxx +/- .005		GlobTek, Inc. www.globtek.com 186 Veterans Dr. Northvale, NJ 07647 Tel. 201-784-1000 Fax 201.784.0111
INIT.BY: SO	DATE: 11/20/07	MILLIMETERS ANGULAR .xx +/- 0.3 +/- 1' .xxx +/- .013		
DRAWN: NF	DATE: 11/20/07	FSCN No.: G, N	SIZE A	DWG TITLE: INTERCHANGEABLE PLUG KIT FOR GT-41052
APRVD : HM	DATE: 11/20/07	SCALE: NONE	MODEL NO: N/A	REV. B
			PART NO: Q-KIT-WH(R)	SHEET 1 OF 2

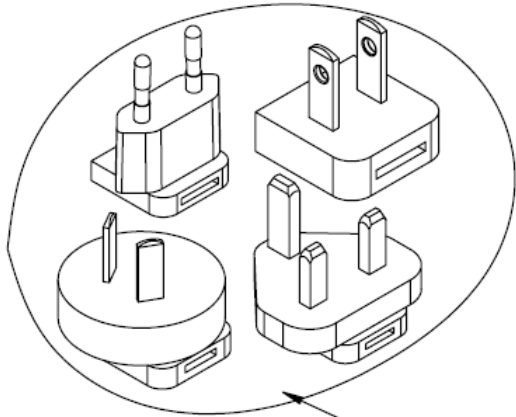
PROPRIETARY INFORMATION:

PROPRIETARY OF GLOBTEK, INC. ANY REPRODUCTION, DISCLOSURE OR USE OF THIS DRAWING, IN WHOLE OR IN PART, IS HEREBY PROHIBITED EXCEPT AS SPECIFIED IN WRITING BY GLOBTEK, INC.

3. PACKING

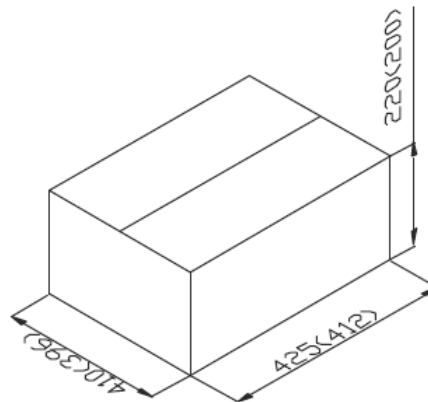
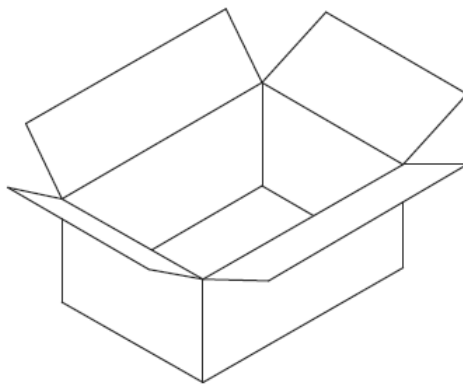
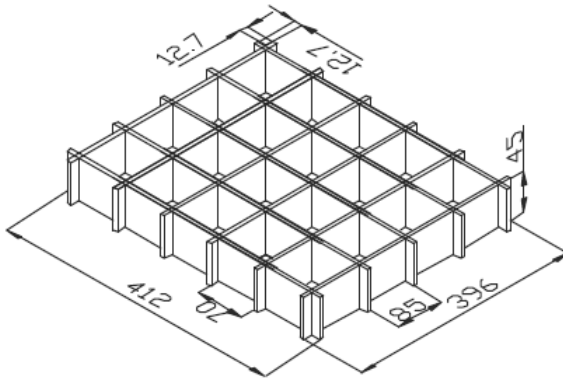
KIT INCLUDING:

Q-NA-WH(R), Q-SAA-WH(R), Q-UK-WH(R), Q-EU-WH(R),
1 PIECE EACH: Q-KIT-WH(R)



POLYBAG: 0.045*110*200

CARTON SIZE: 425 x 410 x 220 mm
Q-TY:80 PCS (20x4)



GlobTek, Inc.
www.globtek.com

186 Veterans Dr. Northvale, NJ 07647
Tel. 201-784-1000 Fax 201.784.0111

DWG TITLE: INTERCHANGEABLE PLUG KIT FOR GT-41052

MODEL NO: N/A

REV.
B

PART NO: Q-KIT-WH(R)

SHEET 2 OF 2