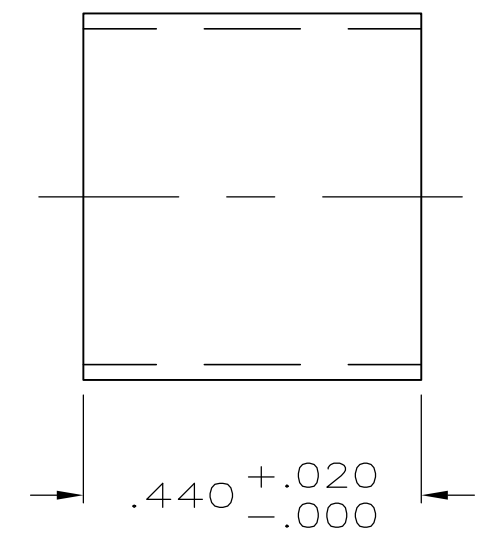
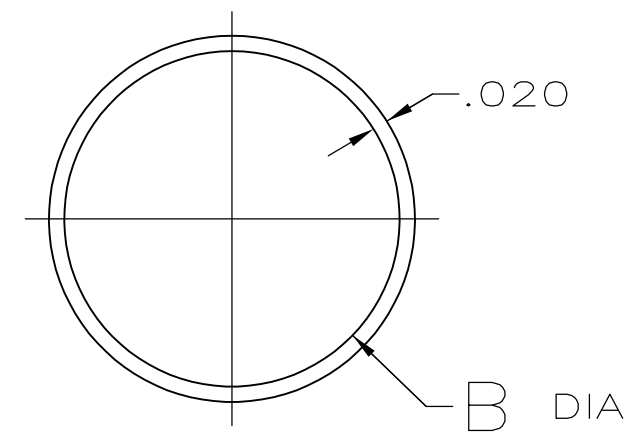
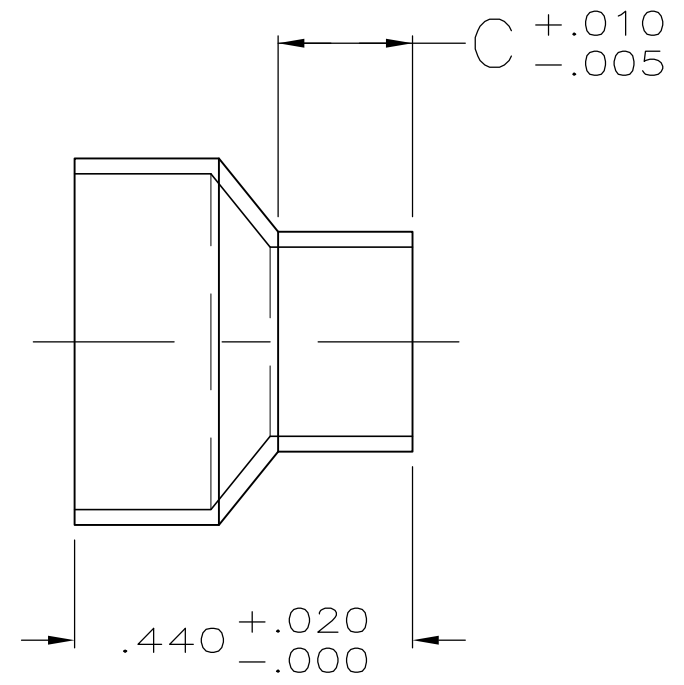
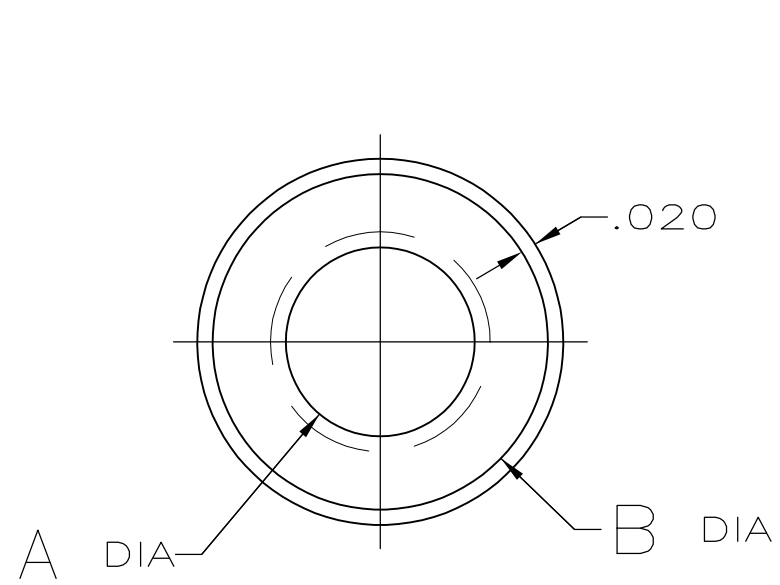


THIS DRAWING IS UNPUBLISHED. RELEASED FOR PUBLICATION
 © COPYRIGHT - By - ALL RIGHTS RESERVED.

LOC	DIST	REVISIONS			
P	LTR	DESCRIPTION	DATE	DWN	APVD
GP	00				
	K3	REVISED PER ECO-11-004835	11MAR11	RK	HMR



STYLE I (STEPPED)

STYLE II (STRAIGHT)

FINISH	STYLE	INSULATION RANGE DIAMETER, REF	C	B	A	PART NUMBER
2	I I	.460-.400	-	.460	-	3-747579-6
2	I	.375-.324	.175	.437	.375	3-747579-4
2	I	.324-.246	.175	.437	.324	3-747579-2
2	I	.246-.165	.175	.437	.246	3-747579-0
2	I I	.437-.375	-	.437	-	2-747579-7
OBSOLETE	1	.460-.400	-	.460	-	1-747579-4
OBSOLETE	1	.437-.375	-	.437	-	1-747579-2
OBSOLETE	1	.375-.324	.175	.437	.375	1-747579-1
OBSOLETE	1	.324-.246	.175	.437	.324	1-747579-0
OBSOLETE	1	.246-.165	.175	.437	.246	747579-8

1 .000200 MIN BRIGHT TIN-LEAD OVER .000100 MIN COPPER.
 2 .000200 MIN BRIGHT TIN OVER .000100 MIN COPPER.

THIS DRAWING IS A CONTROLLED DOCUMENT.

DIMENSIONS: INCHES	TOLERANCES UNLESS OTHERWISE SPECIFIED:	DWN B. MCMASTER 21MAY04	TE Connectivity FERRULE, OUTER, SIZES 1 THRU 3, SHIELDING HARDWARE, AMPLIMITE®
	0 PLC ± -	CHK J. GERACE 21MAY04	
	1 PLC ± -	APVD M. WALMSLEY 21MAY04	
	2 PLC ± -	NAME	
MATERIAL	FINISH	PRODUCT SPEC	SIZE CAGE CODE DRAWING NO RESTRICTED TO
STEEL, ANNEALED	SEE TABLE	APPLICATION SPEC	A3 00779 C-747579
		WEIGHT	SCALE 4:1 SHEET 1 OF 1 REV K3
		CUSTOMER DRAWING	