

60x60x20 mm

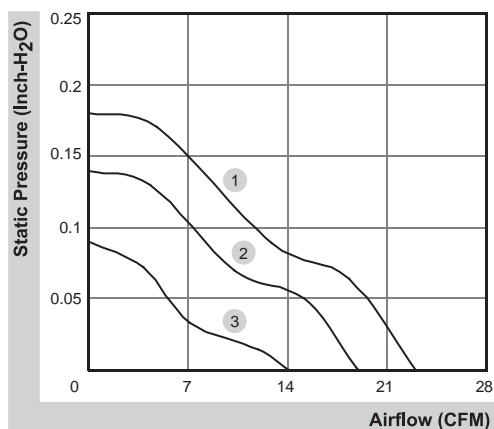
14.1~23.0 CFM



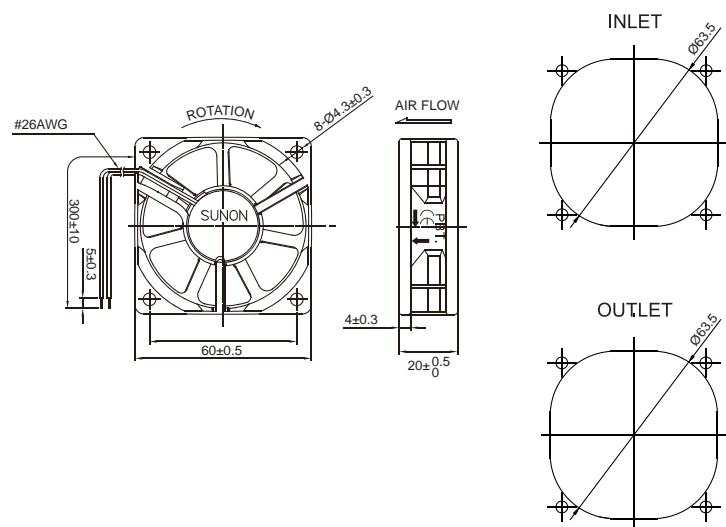
■ Specifications

| Model | Bearing | Rating Voltage | Power Current | Power Consumption | Speed | Air Flow | Static Pressure | Noise | Weight | Curve |
|--------------------|--------------|----------------|---------------|-------------------|-------|----------|-------------------------|---------|--------|-------|
| | 2BALL Sleeve | (VDC) | (mA) | (WATTS) | (RPM) | (CFM) | (Inch-H ₂ O) | (dB(A)) | (g) | |
| EE60201B1-000U-999 | ☉ | 12 | 135 | 1.62 | 4500 | 23.0 | 0.18 | 34.5 | 52.0 | 1 |
| EE60201B2-000U-999 | ☉ | 12 | 95 | 1.14 | 3700 | 19.0 | 0.14 | 29.0 | 52.0 | 2 |
| EE60201B3-000U-999 | ☉ | 12 | 70 | 0.84 | 3000 | 14.1 | 0.09 | 24.5 | 52.0 | 3 |
| EF60202B1-000U-A99 | ☉ | 24 | 60 | 1.44 | 4500 | 23.0 | 0.18 | 34.5 | 52.0 | 1 |
| EF60202B2-000U-A99 | ☉ | 24 | 38 | 0.92 | 3700 | 19.0 | 0.14 | 29.0 | 52.0 | 2 |
| EF60202B3-000U-A99 | ☉ | 24 | 23 | 0.56 | 3000 | 14.1 | 0.09 | 24.5 | 52.0 | 3 |

■ Air Flow-Static Pressure Characteristics



■ External dimensions(mm)



*All model could be customized. Please contact with Sunon Sales.

*Specifications are subject to change without notice. Please Visit SUNON website at <http://www.sunon.com> for update information.