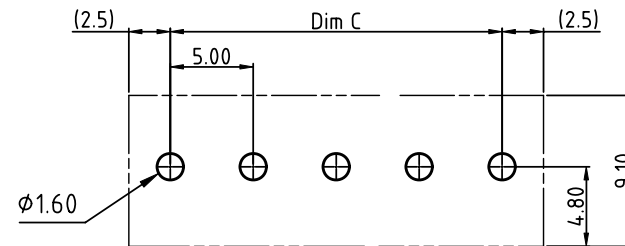
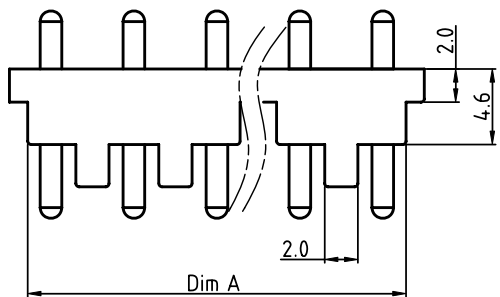
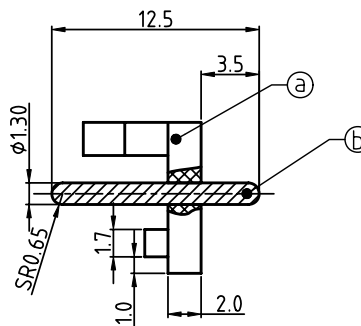
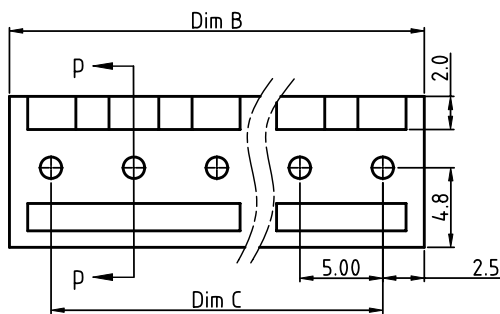


PRODUCT NUMBER	PITCH
KGxx00x000J0G	5.00 mm



RECOMMENDED P.C.B LAYOUT
TOP VIEW



SECTION P-P

Material

- Item ① Terminal (Body): Thermoplastic (UL94V-0)
- Item ② Male contact pin: Brass, Tin plated

Electrical cULus

- Voltage rating: 300VAC
- Current rating: 15A
- Withstanding Voltage: 1.6KV
- Operating temperature: -40°C to +115°C
- Soldering temperature: 260°C±5°C/5 Sec

DIMENSION

Dim A	(N-1)×5.0+2.8
Dim B	N×5.0
Dim C	(N-1)×5.0

N=Number of poles

Poles	Tolerance
2p-6p	±0.15
7p-13p	±0.20
14p-18p	±0.30
19p-24p	±0.40

PART NO.: **KG xx 00 x 0 00J0 G**

↓	Color	RoHS compliant
Solid block	0 Black (RAL9005)	(lead<4%)
No. of poles	2 Red (RAL3001/D)	In copper Alloy
02 2 poles	3 Orange(RAL2011/P)	
03 3 poles	4 Yellow(RAL1018/A)	
... ..	5 Green(RAL6018/T)	
24 24 poles	6 Blue (RAL5015/A)	
	8 Grey(RAL7035/D)	
	9 White(RAL1102)	
	C Green(RAL6018/U)	

mat'l. code		surface ASME Y14.5	tolerance ASME Y14.5	projection	product family TERMINAL BLOCK	
ltr	ecn no	dr	date	 MM	title	
					TERMINAL BLOCK	
				 scale	PLUGGABLE SOCKET, VERTICAL	
					dwg no KGxx00x000J0G	
					sheet 1 of 1	
					size A4	
					type CUSTOMER Drawing	
sheet index	revision sheet	A	1			