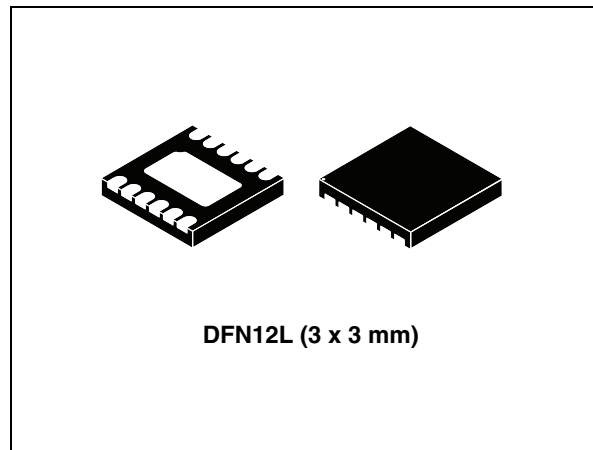


Features

- Step-up and inverting converters
- Operating input voltage range from 2.5 V to 4.5 V
- Synchronous rectification for both DC-DC converters
- Minimum 250 mA output current
- 4.6 V fixed positive output voltage
- Programmable negative voltage by S_{WIRE} from - 1.4 V to - 4.4 V at 100 mV steps
- Typical efficiency: 85%
- Pulse-skipping mode in light load condition
- 1.5 MHz PWM mode control switching frequency
- High immunity to TDMA noise
- Enable pin for shutdown mode
- Low quiescent current in shutdown mode
- Soft-start with inrush current protection
- Overtemperature protection
- Temperature range: -40 °C to 85 °C
- True-shutdown mode
- Fast circuit discharge outputs circuits after shutdown
- Short-circuit protection
- Package DFN12L (3 x 3 mm) 0.6 mm height

Applications

- Active matrix OLED power supply in portable devices
- Cellular phones
- Camcorders and digital still cameras



- Multimedia players

Description

The STOD13CM is a dual DC-DC converter for AMOLED display panels. It integrates a step-up and an inverting DC-DC converter making it particularly suitable for battery operated products, in which the major concern is overall system efficiency. It works in pulse-skipping mode during low load conditions and PWM-MODE at 1.5 MHz frequency for medium/high load conditions. The high frequency allows the value and size of external components to be reduced. The Enable pin allows the device to be turned off, thereby reducing the current consumption to less than 1 μ A. The negative output voltage can be programmed by an MCU through a dedicated pin which implements single-wire protocol. Soft-start with controlled inrush current limit, thermal shutdown, and short-circuit protection are integrated functions of the device.

Table 1. Device summary

Order code	Positive voltage	Negative voltage	Package	Packaging
STOD13CMTPUR	4.6 V	- 1.4 V to - 4.4 V	DFN12L (3 x 3 mm)	3000 parts per reel

Contents

1	Schematic diagram	3
2	Pin configuration	5
3	Maximum ratings	6
4	Electrical characteristics	7
5	Typical performance characteristics	10
6	Application information	12
6.1	External passive components	12
6.1.1	Inductor selection	12
6.1.2	Input and output capacitor selection	12
6.2	Recommended PCB layout	13
7	Detailed description	14
7.1	Overview	14
7.2	Multiple modes of operation	14
7.3	Enable pin	15
7.4	Enable, S _{WIRE}	15
7.5	FBP pin	15
7.6	Soft-start and inrush current limiting	15
7.7	Undervoltage lockout	16
7.8	Overtemperature protection	16
7.9	Short-circuit protection during soft-start (SSD)	16
7.10	Overload protection (OLP)	16
7.11	Short-circuit protection (SCP)	16
7.12	Fast discharge	16
7.13	S _{WIRE}	17
7.13.1	Negative output voltage levels	17
8	Package mechanical data	19

9 **Revision history** **24**

1 Schematic diagram

Figure 1. Application schematic

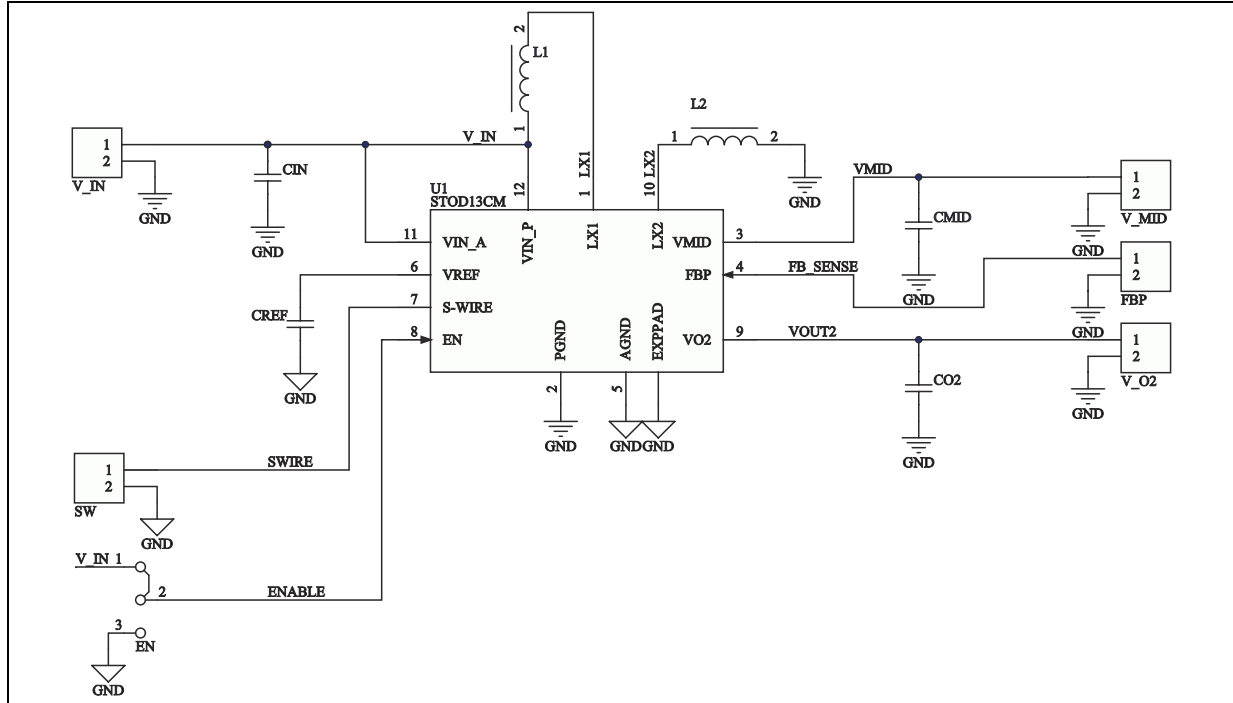


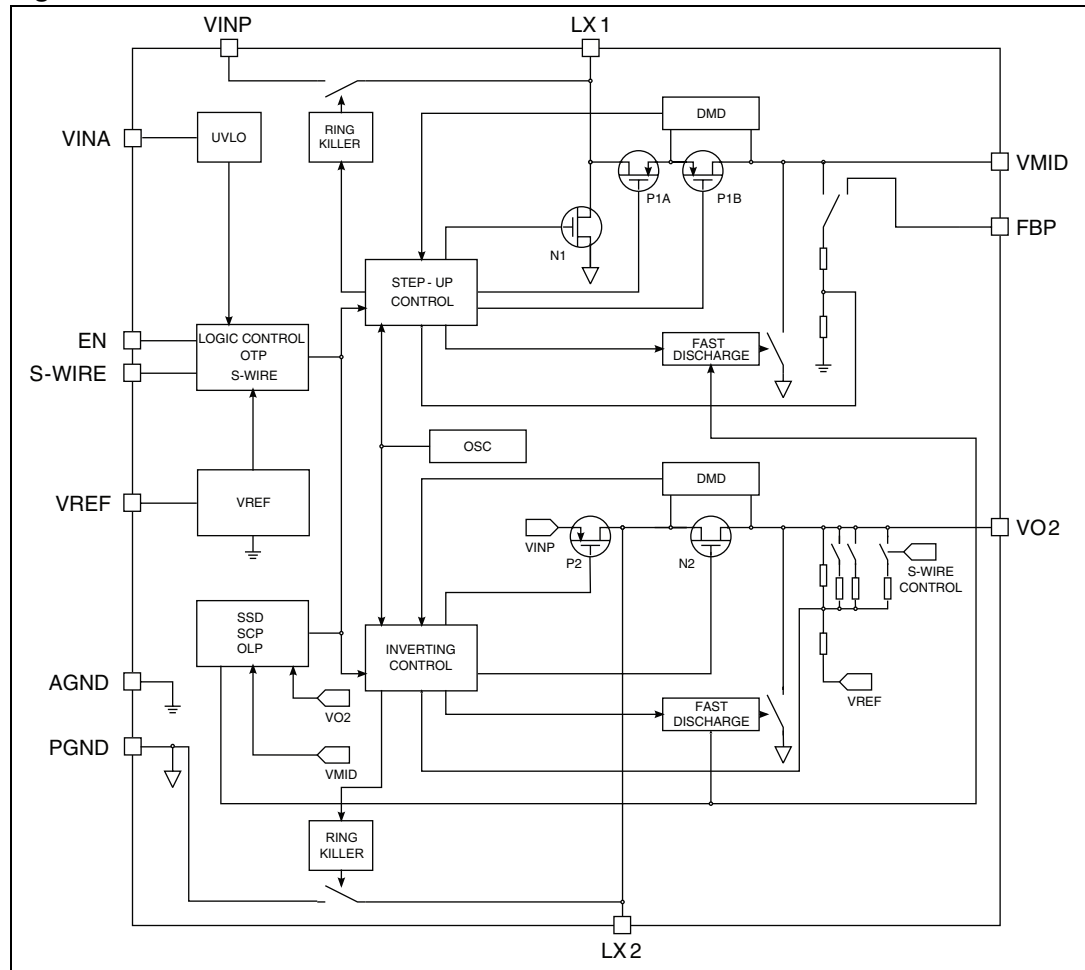
Table 2. Typical external components

Comp.	Manufacturer	Part number	Value	Size	Ratings
L ₁ ⁽¹⁾	Coilcraft	LPS4012-472ML	4.7 μH	4.0 x 4.0 x 1.2	± 20%, I = 1.7 A, R = 0.175 Ω
	Murata	LQH3NPN4R7MM0		3.0 x 3.0 x 1.5	± 20%, I = 1.25 A, R = 0.13 Ω
	TOKO	1239AS-H-4R7N		2.5 x 2.0 x 1.2	± 30%, I = 1.3 A, R = 0.24 Ω
L ₂ ⁽²⁾	Coilcraft	LPS4012-472ML	4.7 μH	4.0 x 4.0 x 1.2	± 20%, I = 1.7 A, R = 0.175 Ω
	Murata	LQH3NPN4R7MM0		3.0 x 3.0 x 1.5	± 20%, I = 1.25 A, R = 0.13 Ω
	TOKO	1277AS-H-4R7N		3.2 x 2.5 x 1.2	± 30%, I = 1.4 A, R = 0.2 Ω
C _{IN}	Murata AVX/Kyocera	GRM219R61A106KE44 TV21X5R106K10AT095	2x10 μF	0805	±10%, X5R, 10 V
C _{MID}	Murata AVX/Kyocera	GRM219R61A106KE44 TV21X5R106K10AT095	10 μF	0805	±10%, X5R, 10 V
C _{O2}	Murata AVX/Kyocera	GRM219R61A106KE44 TV21X5R106K10AT095	2x10 μF	0805	±10%, X5R, 10 V
C _{REF}	Murata	GRM185R60J105KE26	1 μF	0603	±10%, X5R, 6.3 V

- 250 mA load can be provided with inductor saturation current at a minimum of 0.9 A.
- At - 4.4 V, 250 mA load can be provided with inductor saturation current at a minimum of 1.5 A. See note in [Section 6.1.1: Inductor selection](#)

Note: All the above components refer to typical application performance characteristics. Operation of the device is not limited to the choice of these external components. Inductor values ranging from 3.3 μH to 6.8 μH can be used.

Figure 2. Block schematic



2 Pin configuration

Figure 3. Pin configuration (top view)

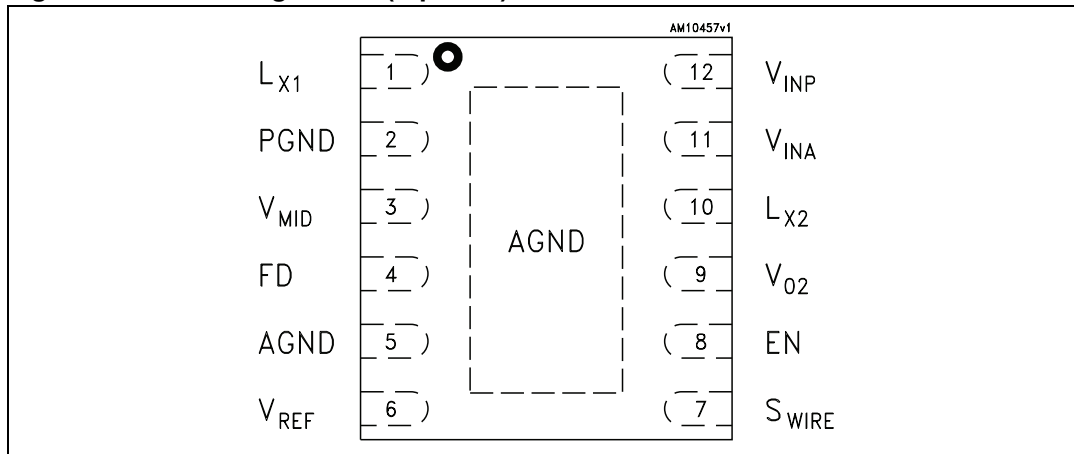


Table 3. Pin description

Pin name	Pin n°	Description
LX ₁	1	Boost converter switching node
PGND	2	Power ground pin
V _{MID}	3	Boost converter output voltage
FBP	4	Step-up converter output voltage sense input. When connected to VMID at AMOLED panel enables external feedback, when connected to AGND enables internal feedback
AGND	5	Signal ground pin. This pin must be connected to the power ground layer
V _{REF}	6	Voltage reference output. 1 μF bypass capacitor must be connected between this pin and AGND
S _{WIRE}	7	Negative voltage setting pin
EN	8	Enable control pin. High = converter on; Low = converter in shutdown mode
V _{O2}	9	Inverting converter output voltage
LX ₂	10	Inverting converter switching node
V _{IN A}	11	Analogic input supply voltage
V _{IN P}	12	Power input supply voltage
	Exposed pad	Internally connected to AGND. Exposed pad must be connected to ground layers in the PCB layout in order to guarantee proper operation of the device

3 Maximum ratings

Table 4. Absolute maximum ratings

Symbol	Parameter	Value	Unit
V_{INA}, V_{INP}	DC supply voltage	-0.3 to 6	V
EN, S_{WIRE}	Logic input pins	-0.3 to 4.6	V
FBP	Step-up converter output voltage sense input	TBD	V
IL_{X2}	Inverting converter switching current	Internally limited	A
L_{X2}	Inverting converter switching node voltage	-10 to $V_{INP} + 0.3$	V
V_{O2}	Inverting converter output voltage	-10 to AGND + 0.3	V
V_{MID}	Step-up converter and LDO output voltage	-0.3 to 6	V
L_{X1}	Step-up converter switching node voltage	-0.3 to $V_{MID} + 0.3$	V
IL_{X1}	Step-up converter switching current	Internally limited	A
V_{REF}	Reference voltage	-0.3 to 3	V
P_D	Power dissipation	Internally limited	mW
T_{STG}	Storage temperature range	-65 to 150	°C
T_J	Maximum junction temperature	150	°C
ESD	Human body model protection	±2	kV
	Machine body model protection	200	V

Note: *Absolute maximum ratings are those values beyond which damage to the device may occur. Functional operation under these condition is not implied.*

The Lx1 and Lx2 have high slew rate and can be over the absolute maximum rating during operation due to the parasitic inductance in the PCB and scope probe. An absolute maximum rating of Lx1 and Lx2 is related to voltage supplied by an external source, so the internally generated Lx1 and Lx2 voltage during normal operation does not damage the chipset.

Table 5. Thermal data

Symbol	Parameter	Value	Unit
R_{thJA}	Thermal resistance junction-ambient	33	°C/W
R_{thJC}	Thermal resistance junction-case (FR-4 PCB) ⁽¹⁾	2.12	°C/W

1. The package is mounted on a 4-layer (2S2P) JEDEC board as per JESD51-7.

4 Electrical characteristics

$T_J = 25\text{ }^\circ\text{C}$, $V_{INA} = V_{INP} = 3.7\text{ V}$, $I_{MID,O2} = 30\text{ mA}$, $C_{IN} = 2 \times 10\text{ }\mu\text{F}$, $C_{MID} = 10\text{ }\mu\text{F}$,
 $C_{O2} = 2 \times 10\text{ }\mu\text{F}$, $C_{REF} = 1\text{ }\mu\text{F}$, $L1 = L2 = 4.7\text{ }\mu\text{H}$, $V_{EN} = 2\text{ V}$, $V_{MID} = 4.6\text{ V}$, $V_{O2} = -4.0\text{ V}$ unless otherwise specified.

Table 6. Electrical characteristics

Symbol	Parameter	Test conditions	Min.	Typ.	Max.	Unit
General section						
V_{INA}, V_{INP}	Supply input voltage		2.5	3.7	4.5	V
UVLO_H	Undervoltage lockout HIGH	V_{INA} rising		2.22	2.25	V
UVLO_L	Undervoltage lockout LOW	V_{INA} falling	1.9	2.18		V
I_{VI}	Input current	No load condition		1.7	2.1	mA
I_{Q_SH}	Shutdown current	$V_{EN} = V_{SW} = \text{GND}$ $T_J = -40^\circ\text{C to } +85^\circ\text{C}$			1	μA
$V_{EN\ H}$	Enable high threshold	$V_{INA}=2.5\text{V to } 4.5\text{V}$, $T_J = -40^\circ\text{C to } +85^\circ\text{C}$	1.2			V
$V_{EN\ L}$	Enable low threshold				0.4	
I_{EN}	Enable input current	$V_{EN}=V_{INA}=4.5\text{V}$; $T_J = -40^\circ\text{C to } +85^\circ\text{C}$			1	μA
fs	Switching frequency	PWM mode	1.35	1.5	1.65	MHz
$D1_{MAX}$	Step-up maximum duty cycle	No load		87		%
$D2_{MAX}$	Inverting maximum duty cycle	No load		87		%
	Total system efficiency	$I_{MID,O2}=10\text{ to } 30\text{mA}$, $V_{MID}=4.6\text{V}$, $V_{O2}=-4.0\text{V}$		78		%
		$I_{MID,O2}=30\text{ to } 150\text{mA}$, $V_{MID}=4.6\text{V}$, $V_{O2}=-4.0\text{V}$		85		
		$I_{MID,O2}=150\text{ to } 250\text{mA}$, $V_{MID}=4.6\text{V}$, $V_{O2}=-4.0\text{V}$		82		
V_{REF}	Reference voltage	$I_{REF}=10\mu\text{A}$	1.208	1.220	1.232	V
I_{REF}	Reference current capability	@ 98.5% of no load reference voltage	100			μA
Step-up converter section						
$V_{MID}^{(1)}$ / $FBP^{(2)}$	Positive output voltage			4.6		V
	Positive output voltage total variation	$V_{INA}=V_{INP}=2.9\text{V to } 4.5\text{V}$; $I_{MID}=5\text{mA to } 250\text{mA}$, I_{O2} no load	-0.5		0.5	%
		$V_{INA}=V_{INP}=2.9\text{V to } 4.5\text{V}$; $I_{MID}=5\text{mA to } 250\text{mA}$, I_{O2} no load $T_J = -40^\circ\text{C to } +85^\circ\text{C}$	-0.8		0.8	

Table 6. Electrical characteristics (continued)

Symbol	Parameter	Test conditions	Min.	Typ.	Max.	Unit
$\Delta V_{MID T}$	Load transient response	$I_{MID}=3$ to 30mA and $I_{MID}=30$ to 3mA, $T_R=T_F=150\mu s$		± 20		mV
		$I_{MID}=10$ to 100mA and $I_{MID}=100$ to 10mA, $T_R=T_F=150\mu s$		± 25		mV
TDMA Noise	Undershoot/overshoot	$I_{MID}=10$ to 50mA; I_{O2} no load (3)		± 20		mV
	Static variation between low and high V_{IN} level			4		
$I_{MID MAX}$	Maximum output current	$V_{INA,P}=2.9V$ to 4.5V	250			mA
$I-L_{1MAX}$	Step-up inductor peak current	V_{MID} 10% below nominal value	1.08		1.32	A
Step-up converter section						
R_{DSONP1}	P-channel static drain-source ON resistance	$V_{INA}=V_{INP}=3.7V$, $I_{SW-P1}=100mA$		1.0	2.0	Ω
R_{DSONN1}	N-channel static drain-source ON resistance	$V_{INA}=V_{INP}=3.7V$, $I_{SW-N1}=100mA$		0.3	1.0	Ω
Inverting converter section						
V_{O2}	Negative output voltage range	31 different values set by S_{WIRE} pin	-4.4		-1.4	V
	Negative output voltage			-4.0		V
	Negative output voltage total variation	$V_{INA}=V_{INP}=2.9V$ to 4.5V; $I_{O2}=5mA$ to 250mA, I_{MID} no load $V_{O2}=-4.4V$ to 4.0V	-0.8		0.8	%
		$V_{INA}=V_{INP}=2.9V$ to 4.5V; $I_{O2}=5mA$ to 250mA, I_{MID} no load $V_{O2}=-3.9V$ to 2.0V	-1		1	
$V_{INA}=V_{INP}=2.9V$ to 4.5V; $I_{O2}=5mA$ to 250mA, I_{MID} no load $V_{O2}=-1.9V$ to 1.4V	-1.2		1.2			
$\Delta V_{O2 T}$	Load transient response	$I_{O2}=3$ to 30mA and $I_{O2}=30$ to 3mA, $T_R=T_F=150\mu s$		± 20		mV
		$I_{O2}=10$ to 100mA and $I_{O2}=100$ to 10mA, $T_R=T_F=150\mu s$		± 25		mV
TDMA Noise	Undershoot/overshoot	$I_{O2}=10$ to 50mA; I_{MID} no load (1)		± 20		mV
	Static variation between low and high V_{IN} level			5		
$I_{O2 MAX}$	Maximum output current	$V_{INA,P}=2.9V$ to 4.5V	-250			mA
$I-L_{2MAX}$	Inverting peak current	V_{O2} below 10% of nominal value	-1.6		-1.3	A
R_{DSONP2}	P-channel static drain-source ON resistance	$V_{INA}=V_{INP}=3.7V$, $I_{SW-P2}=100mA$		0.42	0.8	Ω

Table 6. Electrical characteristics (continued)

Symbol	Parameter	Test conditions	Min.	Typ.	Max.	Unit
R_{DSONN2}	N-channel static drain-source ON resistance	$V_{INA}=V_{INP}=3.7V$, $I_{SW-N2}=100mA$		0.43	0.8	Ω
Thermal shutdown						
OTP	Overtemperature protection			140		$^{\circ}C$
OTP_{HYST}	Overtemperature protection hysteresis			15		$^{\circ}C$
Discharge resistor						
R_{DIS}	Resistor value	No load, EN=SW=FD=Low		400		Ω
T_{DIS}	Discharge time	No load, EN=SW=FD=Low, $V_{MID}-V_{O2}$ at 10% of nominal value		10		ms

1. When internal feedback is used. See [Section 7.5: FBP pin](#) for reference.
2. When external feedback is used. See [Section 7.5: FBP pin](#) for reference.
3. $V_{INA,P} = 4.2$ to 3.7 V, 3.7 to 3.2 V, 3.4 to 2.9 V, $f = 200$ Hz; $t_{ON} = 3.65$ ms; $t_{OFF} = 1.25$ ms; $T_R = T_F = 10$ μs , pulse signal.

5 Typical performance characteristics

$V_{INA} = V_{INP} = 3.7\text{ V}$, $V_{O2} = -4.0\text{ V}$, $T_J = 25\text{ }^\circ\text{C}$; See [Table 1](#) for external components used in the tests below.

Figure 4. Maximum power output vs. input voltage

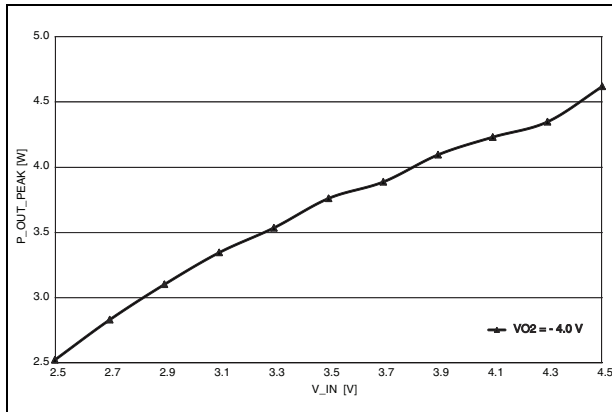


Figure 5. Efficiency $V_{MID}-V_{O2}$ @ COILCRAFT LPS4012

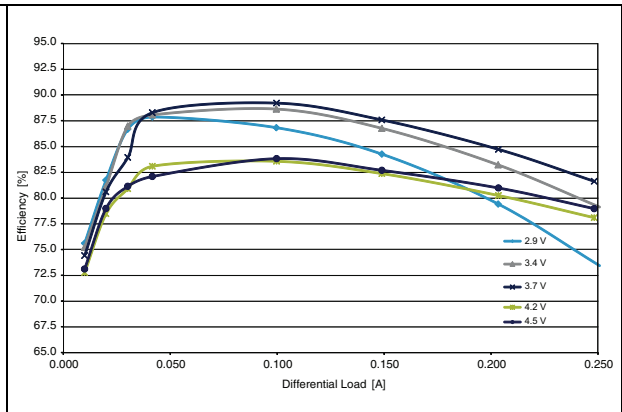


Figure 6. Fast discharge no load, EN=SW=FD=Low

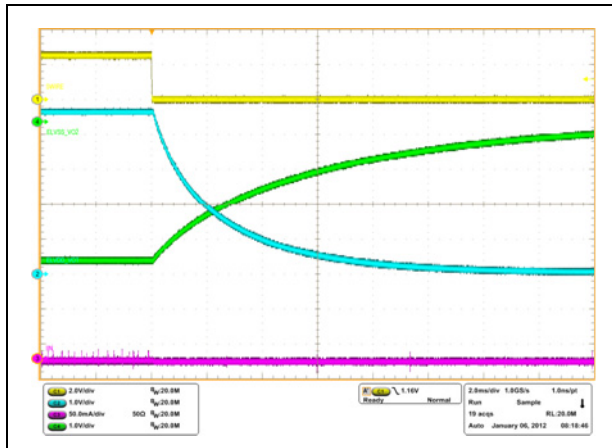


Figure 7. Efficiency $V_{MID}-V_{O2}$ @ $V_{O2} = -1.4\text{ V}$, COILCRAFT LPS4012

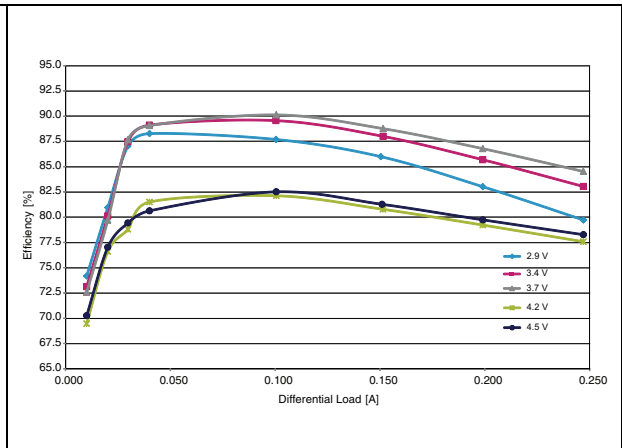
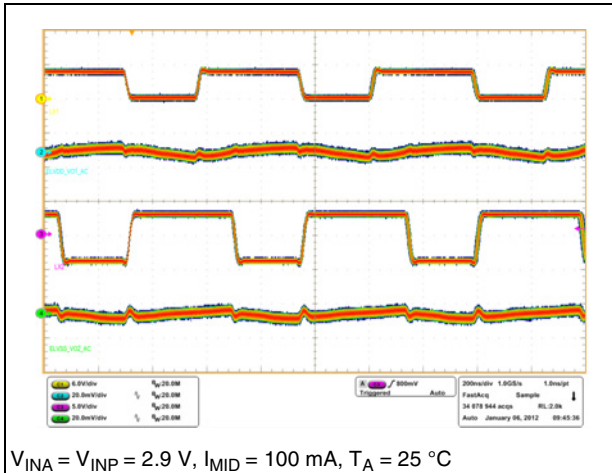
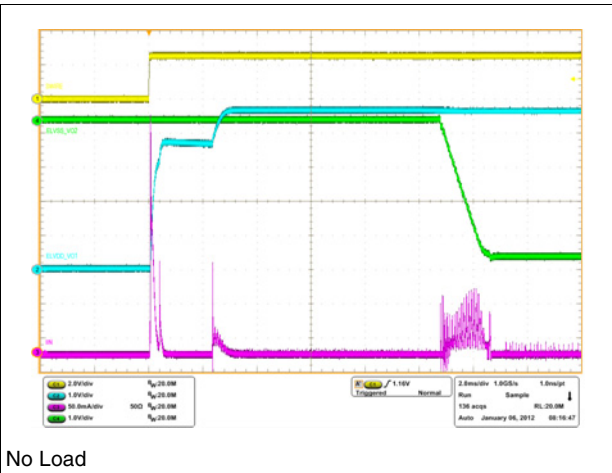


Figure 8. Step-up and inverting CCM operation



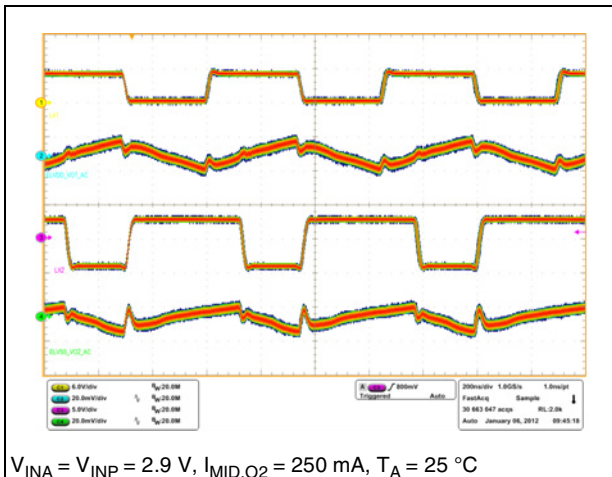
$V_{INA} = V_{INP} = 2.9\text{ V}$, $I_{MID} = 100\text{ mA}$, $T_A = 25\text{ }^\circ\text{C}$

Figure 9. Soft-start and inrush current



No Load

Figure 10. Switching and output waveforms



$V_{INA} = V_{INP} = 2.9\text{ V}$, $I_{MID,O2} = 250\text{ mA}$, $T_A = 25\text{ }^\circ\text{C}$

6 Application information

6.1 External passive components

6.1.1 Inductor selection

Magnetic shielded low ESR power inductors must be chosen as the key passive components for switching converters.

For the step-up converter, an inductance between 4.7 μH and 6.8 μH is recommended.

For the inverting stage the suggested inductance ranges from 3.3 μH to 4.7 μH .

It is very important to select the right inductor based on the maximum current the inductor can handle to avoid saturation. The step-up and the inverting peak current can be calculated as follows:

Equation 1

$$I_{\text{PEAK-BOOST}} = \frac{V_{\text{MID}} \times I_{\text{OUT}}}{\eta_1 \times V_{\text{IN}_{\text{MIN}}}} + \frac{V_{\text{IN}_{\text{MIN}}} \times (V_{\text{MID}} - V_{\text{IN}_{\text{MIN}}})}{2 \times V_{\text{MID}} \times f_s \times L_1}$$

Equation 2

$$I_{\text{PEAK-INVERTING}} = \frac{(V_{\text{IN}_{\text{MIN}}} - V_{\text{O2}_{\text{MIN}}}) \times I_{\text{OUT}}}{\eta_2 \times V_{\text{IN}_{\text{MIN}}}} + \frac{V_{\text{IN}_{\text{MIN}}} \times V_{\text{O2}_{\text{MIN}}}}{2 \times (V_{\text{O2}_{\text{MIN}}} - V_{\text{IN}_{\text{MIN}}}) \times f_s \times L_2}$$

where

V_{MID} : step-up output voltage

V_{O2} : inverting output voltage including sign (minimum value is the absolute maximum value)

I_{O} : output current for both DC-DC converters

V_{IN} : input voltage

f_s : switching frequency. Use the minimum value for the worst case

η_1 : efficiency of step-up converter. Typical value is 0.70

η_2 : efficiency of inverting converter. Typical value is 0.60

The negative output voltage can be set via S_{WIRE} at -4.4 V. Accordingly, the inductor peak current, at the maximum load condition, increases. A proper inductor, with a saturation current at a minimum of 1.5 A, is preferred.

6.1.2 Input and output capacitor selection

It is recommended to use X5R or X7R low ESR ceramic capacitors as input and output capacitors in order to filter any disturbances present in the input line and to obtain stable operation for the two switching converters. A minimum real capacitance value of 6 μF must be guaranteed for C_{MID} and C_{O2} in all conditions. Considering tolerance, temperature variation and DC polarization, a 10 μF , 10 V $\pm 10\%$ capacitor as C_{MID} and 2 x 10 μF , 10 V $\pm 10\%$ as C_{O2} , can be used to achieve the required 6 μF .

6.2 Recommended PCB layout

The STOD13CM is a high frequency power switching device and therefore requires a proper PCB layout in order to obtain the necessary stability and optimize line/load regulation and output voltage ripple.

Analog input (V_{INA}) and power input (V_{INP}) must be kept separated and connected at the C_{IN} pad only. The input capacitor must be as close as possible to the IC.

In order to minimize ground noise, a common ground node for power ground and a different one for analog ground must be used. In the recommended layout, the AGND node is placed close to C_{REF} ground while the PGND node is centered at C_{IN} ground. They are connected by a separated layer routing on the bottom through vias.

The exposed pad is connected to AGND through vias.

In order to provide precise V_{MID} sensing, proper PCB layout is mandatory.

Figure 11. Top layer and silk-screen (top view, not to scale)

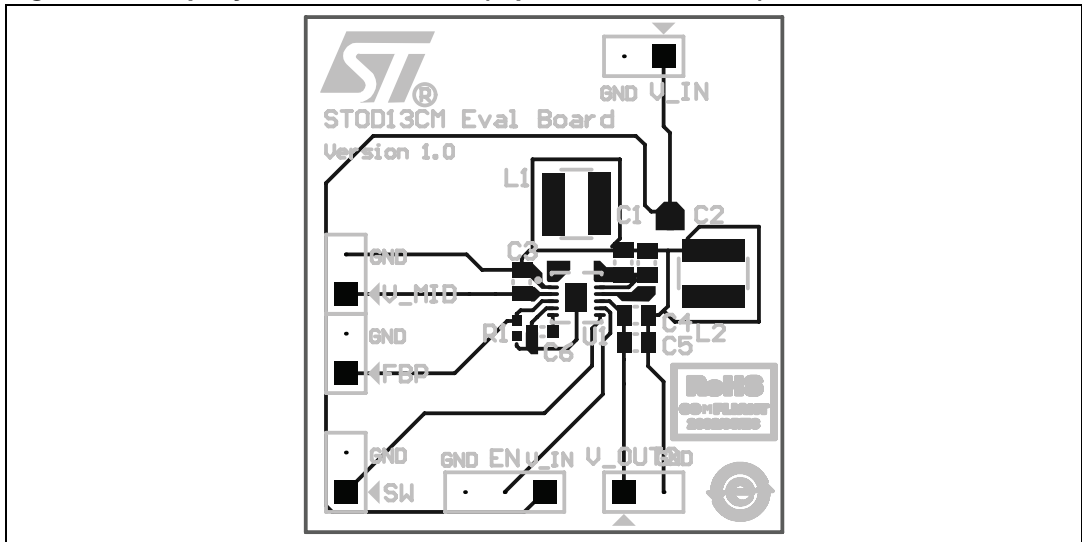
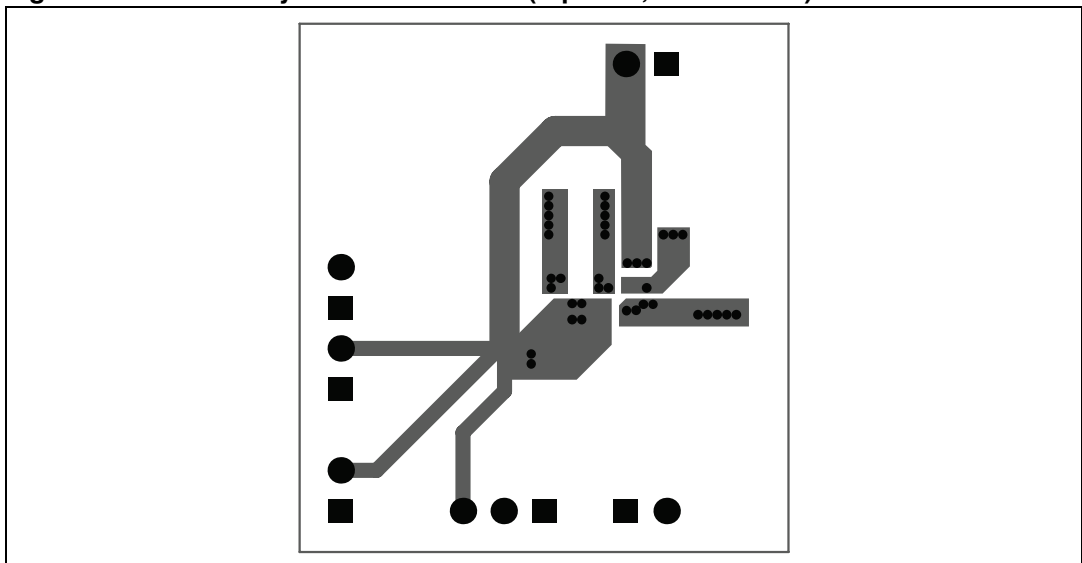


Figure 12. Bottom layer and silk-screen (top view, not to scale)



7 Detailed description

7.1 Overview

The STOD13CM is a high efficiency dual DC-DC converter which integrates a step-up and inverting power stage suitable to supply AMOLED panels. Thanks to a high level of integration, it requires only 6 external components to operate and it achieves very high efficiency using synchronous rectification technique for both the two DC-DC converters.

The controller uses an average current mode technique to obtain good stability and precise voltage regulation in all possible conditions of input voltage, output voltage and output current. In addition, the peak inductor current is monitored in order to avoid saturation of the coils.

The STOD13CM implements a power saving technique to maintain high efficiency at very light load and it switches to PWM operation as the load increases in order to guarantee the best dynamic performance and low noise operation.

The STOD13CM avoids battery leakage thanks to the true-shutdown feature and its overtemperature self-protection. Undervoltage lockout and soft-start guarantee proper operation during startup.

7.2 Multiple modes of operation

Both the step-up and the inverting stages of the STOD13CM operate in three different modes: Pulse Skipping (PSM), Discontinuous Conduction Mode (DCM) and Continuous Conduction Mode (CCM). It switches automatically among the three modes based on input voltage, output current and output voltage conditions.

Pulse skipping operation

The STOD13CM works in pulse skipping mode when the load current is below a few mA. The load current level at which this mode of operation occurs depends on input voltage only for the step-up converter and on input voltage and negative output voltage (VO2) for the inverting converter.

Discontinuous conduction mode

When the load increases above a few tens of milliamperes, the STOD13CM enters DCM operation. In order to obtain this mode of operation the controller must avoid the inductor current going negative. The Discontinuous Mode Detector (DMD) blocks sense the voltage across the synchronous rectifiers (P1B for the step-up and N2 for the inverting) and turn off the switches when the voltage crosses a defined threshold which, in turn, represent a certain current in the inductor. This current can vary according to the slope of the inductor current which depends on input voltage, inductance value and output voltage.

Continuous conduction mode

At medium/high output loads the STOD13CM enters full CCM at constant switching frequency mode for both of the two DC-DC converters.

7.3 Enable pin

The device operates when the EN pin is set high. If the EN pin is set low the device stops switching, and all internal blocks are turned off. In this condition the current drawn from V_{INP}/V_{INA} is below 1 μ A in the whole temperature range. In addition, the internal switches are in an off state, so the load is electrically disconnected from the input; this avoids unwanted current leakage from the input to the load.

7.4 Enable, S_{WIRE}

Table 7. EN and S_{WIRE} operation table ⁽¹⁾

EN	S_{WIRE}	Action
Low	Low	Device off
Low	High	Negative Output voltage set by S_{WIRE}
High	Low	Default Negative Output voltage
High	High	Default Negative Output voltage

1. The enable pin must be set to AGND when using the S_{WIRE} function.

7.5 FBP pin

Two kinds of feedback control loop are implemented in this device to control positive output voltage VMID. When the FBP pin is connected to AMOLED panel VMID node, external feedback is used. Thus the control loop regulates positive output voltage VMID based on FBP. When the pin is connected to AGND, internal feedback is used instead. Thus positive output voltage VMID is regulated directly. The FBP pin cannot be left floating.

In order to protect the application from FBP track accidental disconnection, it is recommended to use 1 M Ω pull-down to AGND on FBP pin.

Proper PCB layout of the FBP track is mandatory; the principle of Kelvin sensing should be applied as a routing technique. It is suggested to follow Recommended PCB Layout chapter.

Table 8. FBP operation table

FBP	Action
AGND	Internal feedback enabled
VMID at panel	External feedback enabled
Floating	Not allowed

7.6 Soft-start and inrush current limiting

After the EN pin is pulled high, or after a suitable voltage is applied to V_{INP} , V_{INA} and EN, the device initiates the startup phase. As a first step, the CMID capacitor is charged, and the P1B switch implements a current limiting technique in order to keep the charge current below 400 mA. This avoids battery overloading during startup. After V_{MID} reaches the V_{INP} voltage level, the P1B switch is fully turned on and the soft-start procedure for the step-up is

initiated. After around 2 ms the soft-start for the inverting is started. The positive and negative voltage will be under regulation around 13 ms after EN pin is asserted high.

7.7 Undervoltage lockout

The undervoltage lockout function prevents improper operation of the STOD13CM when the input voltage is not high enough. When the input voltage is below the UVLO threshold, the device is in shutdown mode. The hysteresis of 50 mV prevents unstable operation when the input voltage is close to the UVLO threshold.

7.8 Overtemperature protection

An internal temperature sensor continuously monitors the IC junction temperature. If the IC temperature exceeds 140 °C (typ) the device stops operating. As soon the temperature falls below 125 °C (typ) normal operation is restored.

7.9 Short-circuit protection during soft-start (SSD)

During device soft-start on positive output, an internal comparator checks if the panel is damaged. In this case, soft-start is stopped and the device is parked in power-off. To restore to normal functionality (assuming that the anomalous load condition has been removed), it is necessary to restart the converter through an enable transient.

In the opposite case (panel not damaged), during soft-start, after positive output startup, a negative output soft-start will follow until normal output functionality and voltages are reached.

7.10 Overload protection (OLP)

Output current is internally limited. An overload condition, such as a short-circuit, between the two outputs or between each output and GND induces the device to power off. To restore to normal functionality (assuming that the short condition has been removed), it is necessary to restart the converter through an enable transient.

7.11 Short-circuit protection (SCP)

When a short-circuit occurs, the device detects the voltage difference between V_{IN} and V_{OUT} . Overshoots are limited by decreasing the inductor current. After this, the output stages of the device are turned off. This status is maintained, preventing current flowing to the load. A new enable transition is needed to restart the device. During startup, the short-circuit protection is active.

7.12 Fast discharge

When ENABLE turns from high to low level, the device goes into shutdown mode; L_{X1} and L_{X2} will stop switching. A resistor of about 400 Ω is connected between V_{MID} and V_{O2} to quickly discharge the CMID and CO2 capacitors, lowering the differential output voltage ($V_{MID}-V_{O2}$) below 10% of nominal value in about 10 ms. When the output voltages are discharged to 0 V, the switches turn off and the outputs will be high impedance.

7.13 **S_{WIRE}**

Description

- Protocol: to digitally communicate over a single cable with single wire components
- 3 components:
 - a) an external MCU
 - b) wiring and associated connectors
 - c) STOD13CM device with a dedicated single-wire pin

S_{WIRE} features and benefits

- Fully digital signal
- No handshake needed
- Protection against glitches and spikes through an internal low-pass filter acting on both rising and falling edges
- Uses a single wire (plus analog ground) to accomplish both communication and power control transmission
- Simplify design with an interface protocol that supplies control and signaling over a single-wire connection to set the output voltages

S_{WIRE} protocol

- Single-wire protocol uses conventional CMOS/TTL logic levels (maximum 0.6 V for logic “zero” and a minimum 1.2 V for logic “one”) with operation specified over a supply voltage range of 2.5 V to 4.5 V
- Both master (MCU) and slave (STOD13CM) are configured to permit bit sequential data to flow only in one direction at a time; Master initiates and controls the device
- Data is bit-sequential with a START bit and a STOP bit
- Signal is transferred in real time
- System clock is not required; each S_{WIRE} pulse is self-clocked by the oscillator integrated in the master and is asserted valid within a frequency range of 250 kHz (maximum).

S_{WIRE} basic operation

- The negative output voltage levels are selectable within a wide range (steps of 100 mV)
- The device can be enabled / disabled via S_{WIRE} in combination with the Enable pin.

7.13.1 Negative output voltage levels

Table 9. Negative output voltage levels

Pulse	V _{O2}	Pulse	V _{O2}	Pulse	V _{O2}	Pulse	V _{O2}
1	-4.4	11	-3.4	21	-2.4	31	-1.4
2	-4.3	12	-3.3	22	-2.3		
3	-4.2	13	-3.2	23	-2.2		
4	-4.1	14	-3.1	24	-2.1		
5 ⁽¹⁾	-4	15	-3	25	-2		
6	-3.9	16	-2.9	26	-1.9		
7	-3.8	17	-2.8	27	-1.8		
8	-3.7	18	-2.7	28	-1.7		
9	-3.6	19	-2.6	29	-1.6		
10	-3.5	20	-2.5	30	-1.5		

1. Default value.

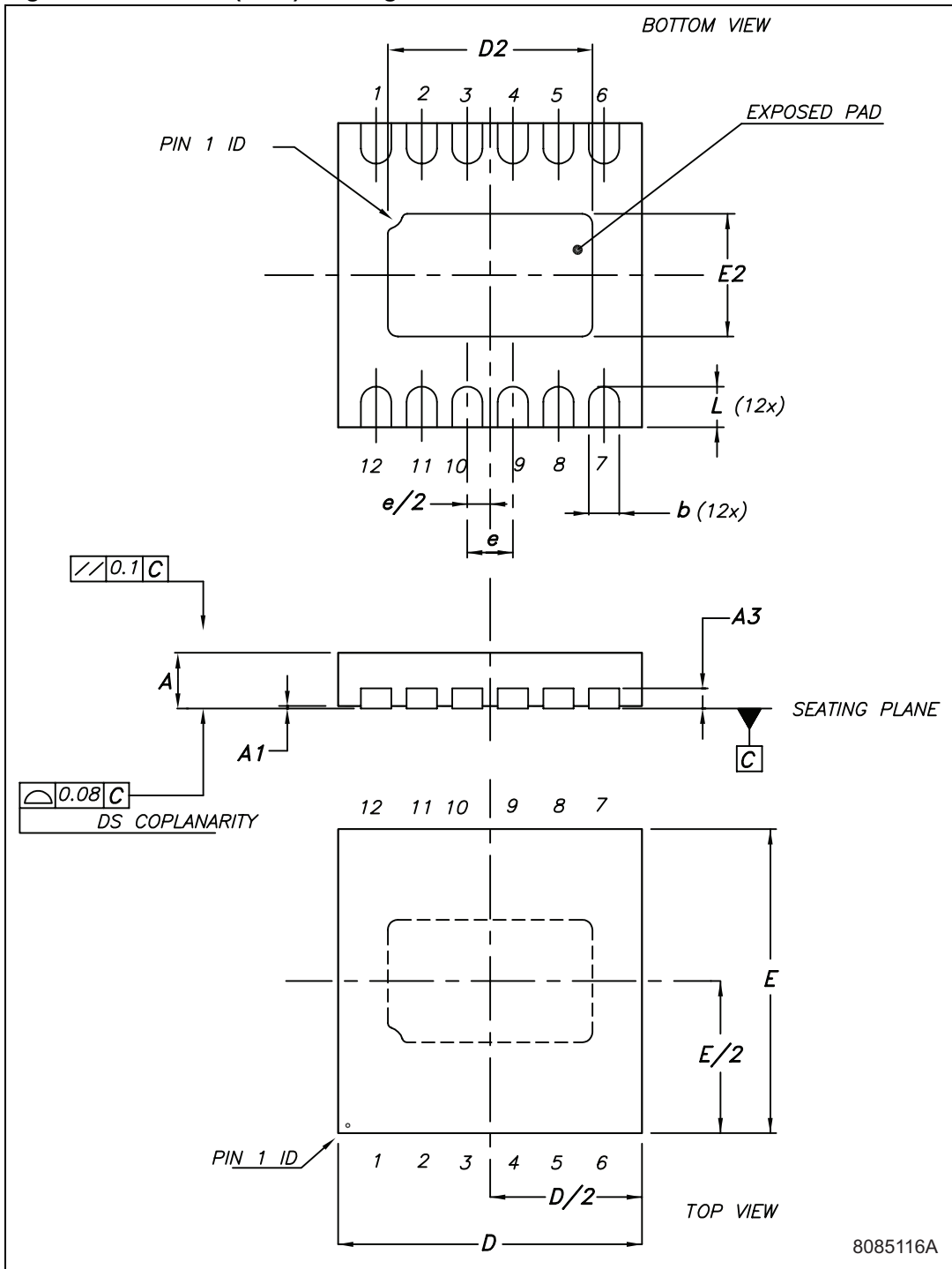
8 Package mechanical data

In order to meet environmental requirements, ST offers these devices in different grades of ECOPACK® packages, depending on their level of environmental compliance. ECOPACK specifications, grade definitions and product status are available at: www.st.com. ECOPACK is an ST trademark.

Table 10. DFN12L (3 x 3) mechanical data

Dim.	mm.			inch.		
	Min.	Typ.	Max.	Min.	Typ.	Typ.
A	0.51	0.55	0.60	0.020	0.022	0.024
A1	0	0.02	0.05	0	0.001	0.002
A3		0.20			0.008	
b	0.18	0.25	0.30	0.007	0.010	0.012
D	2.85	3	3.15	0.112	0.118	0.124
D2	1.87	2.02	2.12	0.074	0.080	0.083
E	2.85	3	3.15	0.112	0.118	0.124
E2	1.06	1.21	1.31	0.042	0.048	0.052
e		0.45			0.018	
L	0.30	0.40	0.50	0.012	0.016	0.020

Figure 13. DFN12L (3 x 3) drawing



Tape & reel QFNxx/DFNxx (3 x 3 mm.) mechanical data

Dim.	mm.			inch.		
	Min.	Typ.	Max.	Min.	Typ.	Max.
A			180			7.087
C	12.8		13.2	0.504		0.519
D	20.2			0.795		
N	60			2.362		
T			14.4			0.567
Ao		3.3			0.130	
Bo		3.3			0.130	
Ko		1.1			0.043	
Po		4			0.157	
P		8			0.315	

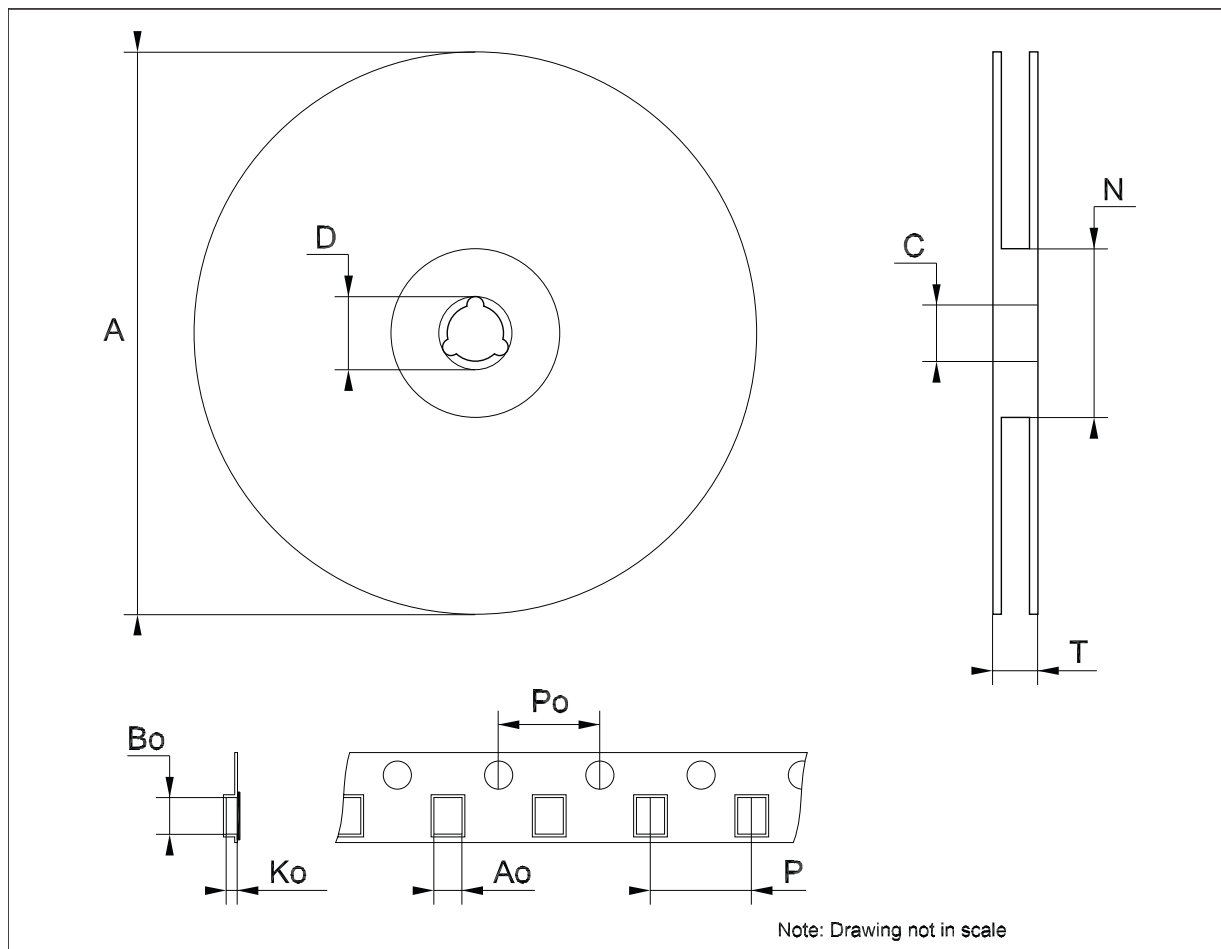
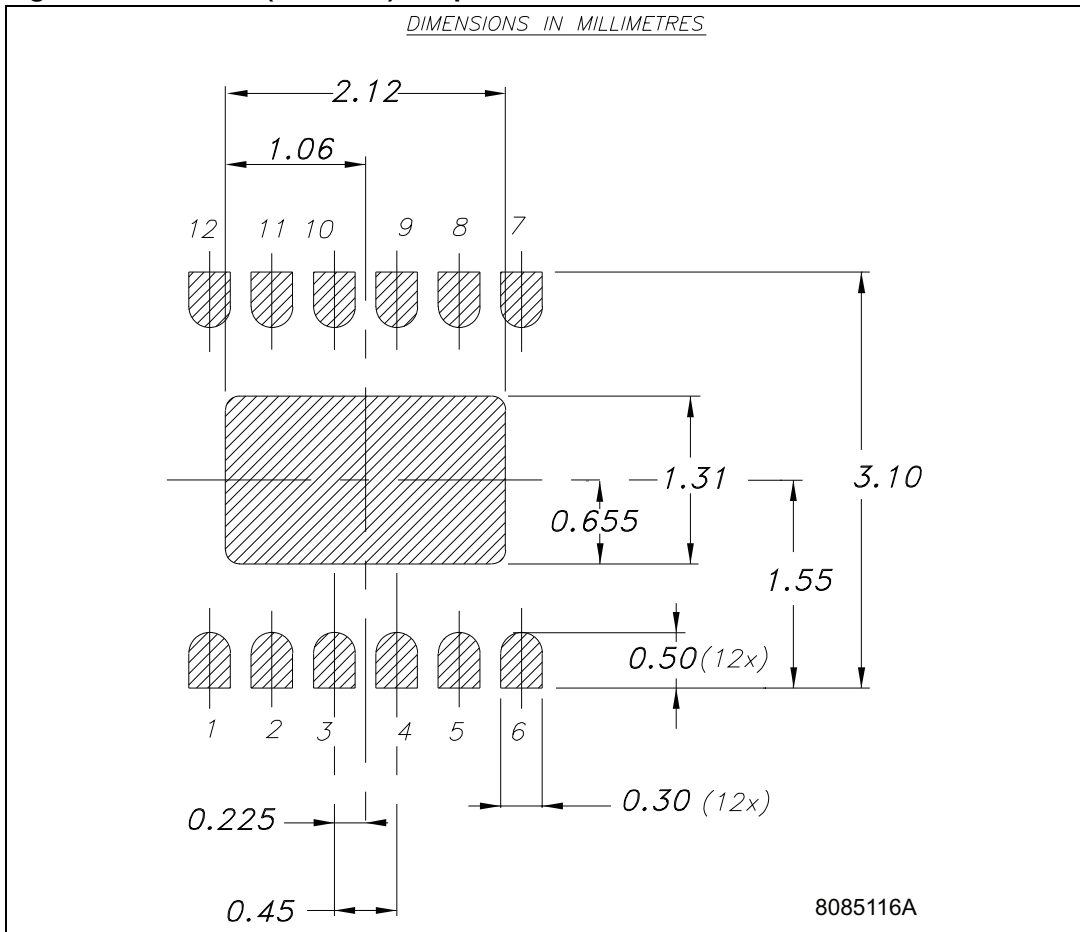


Figure 14. DFN12L (3 x 3 mm) footprint recommended data



9 Revision history

Table 11. Document revision history

Date	Revision	Changes
07-Jan-2013	1	Initial release.

Please Read Carefully:

Information in this document is provided solely in connection with ST products. STMicroelectronics NV and its subsidiaries ("ST") reserve the right to make changes, corrections, modifications or improvements, to this document, and the products and services described herein at any time, without notice.

All ST products are sold pursuant to ST's terms and conditions of sale.

Purchasers are solely responsible for the choice, selection and use of the ST products and services described herein, and ST assumes no liability whatsoever relating to the choice, selection or use of the ST products and services described herein.

No license, express or implied, by estoppel or otherwise, to any intellectual property rights is granted under this document. If any part of this document refers to any third party products or services it shall not be deemed a license grant by ST for the use of such third party products or services, or any intellectual property contained therein or considered as a warranty covering the use in any manner whatsoever of such third party products or services or any intellectual property contained therein.

UNLESS OTHERWISE SET FORTH IN ST'S TERMS AND CONDITIONS OF SALE ST DISCLAIMS ANY EXPRESS OR IMPLIED WARRANTY WITH RESPECT TO THE USE AND/OR SALE OF ST PRODUCTS INCLUDING WITHOUT LIMITATION IMPLIED WARRANTIES OF MERCHANTABILITY, FITNESS FOR A PARTICULAR PURPOSE (AND THEIR EQUIVALENTS UNDER THE LAWS OF ANY JURISDICTION), OR INFRINGEMENT OF ANY PATENT, COPYRIGHT OR OTHER INTELLECTUAL PROPERTY RIGHT.

UNLESS EXPRESSLY APPROVED IN WRITING BY TWO AUTHORIZED ST REPRESENTATIVES, ST PRODUCTS ARE NOT RECOMMENDED, AUTHORIZED OR WARRANTED FOR USE IN MILITARY, AIR CRAFT, SPACE, LIFE SAVING, OR LIFE SUSTAINING APPLICATIONS, NOR IN PRODUCTS OR SYSTEMS WHERE FAILURE OR MALFUNCTION MAY RESULT IN PERSONAL INJURY, DEATH, OR SEVERE PROPERTY OR ENVIRONMENTAL DAMAGE. ST PRODUCTS WHICH ARE NOT SPECIFIED AS "AUTOMOTIVE GRADE" MAY ONLY BE USED IN AUTOMOTIVE APPLICATIONS AT USER'S OWN RISK.

Resale of ST products with provisions different from the statements and/or technical features set forth in this document shall immediately void any warranty granted by ST for the ST product or service described herein and shall not create or extend in any manner whatsoever, any liability of ST.

ST and the ST logo are trademarks or registered trademarks of ST in various countries.

Information in this document supersedes and replaces all information previously supplied.

The ST logo is a registered trademark of STMicroelectronics. All other names are the property of their respective owners.

© 2013 STMicroelectronics - All rights reserved

STMicroelectronics group of companies

Australia - Belgium - Brazil - Canada - China - Czech Republic - Finland - France - Germany - Hong Kong - India - Israel - Italy - Japan - Malaysia - Malta - Morocco - Philippines - Singapore - Spain - Sweden - Switzerland - United Kingdom - United States of America

www.st.com

