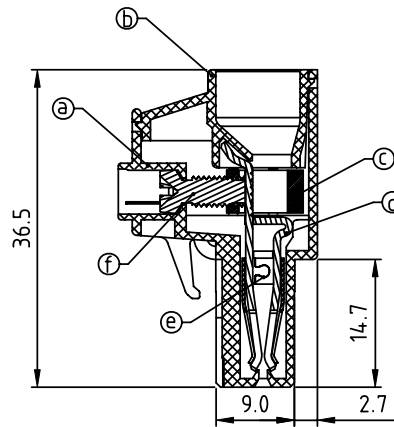
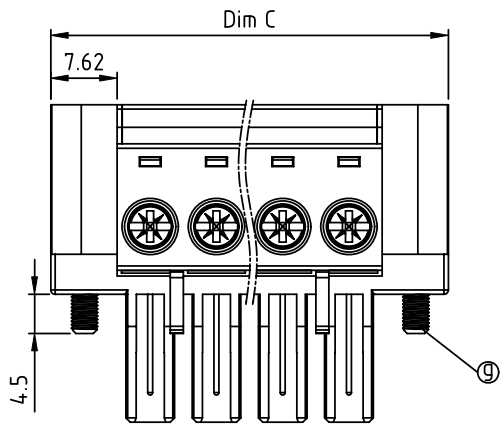
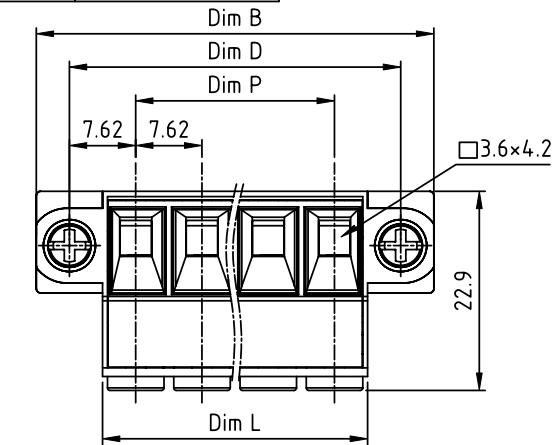


PRODUCT NUMBER	PITCH
ETxx02x200J0G	7.62 mm



Material:

- Item ㉑ Terminal(housing): Thermoplastic (UL94V-0)
- Item ㉒ Terminal(cover): Thermoplastic (UL94V-0)
- Item ㉓ Clamp: Brass Ni plated
- Item ㉔ Female contact : Copper. Tin plated
- Item ㉕ Wire guard: Stainless steel
- Item ㉖ Terminal Screw: Steel , zinc plating " \* " slot type
- Item ㉗ With flange Screw: Steel Zinc plating M3"+/-" slot type

Electrical:

- |                          |                 |                      |
|--------------------------|-----------------|----------------------|
| ● Voltage rating:        | cULus 300V/600V | TUV 800V             |
| ● Current rating:        | 32A/41A         | 32A                  |
| ● Wire range:            |                 | 0.2-6mm <sup>2</sup> |
| ● Solid wire(AWG):       | 8-24            |                      |
| ● Stranded wire(AWG):    | 8-24            |                      |
| ● Torque:                | 7 LB-In         | 0.8N.m               |
| ● Screw:                 | M3.5            |                      |
| ● Wire strip length:     | 10-11 mm        |                      |
| ● Withstanding Voltage:  | 1.6KV           | 6KV                  |
| ● Operating temperature: | -40°C to +115°C |                      |
| ● Safety Approval:       | cULus           | TUV                  |

N = Number of poles  
 Dim L=Nx7.62  
 Dim P=(N-1)x7.62  
 Dim B=(N-1)x7.62+22.86  
 Dim C=(N+2)x7.62  
 Dim D=(N-1)x7.62+15.24

PART NO.: ET xx 02 x 2 00J0 G

Solid block	0	Color	Black (RAL9005)	RoHS compliant
No. of poles	2		Red (RAL3001/D)	(lead<4%)
02	2 poles	3	Orange(RAL2011/P)	In copper Alloy
03	3 poles	4	Yellow(RAL1018/A)	
...	...	5	Green(RAL6018/T)	
16	16 poles	6	Blue (RAL5015/A)	
		8	Grey(RAL7035/D)	
		9	White(RAL1102)	
		C	Green(RAL6018/U)	

poles	Tolerance
2-4p	±0.15
5-8p	±0.20
9-12p	±0.30
13-16p	±0.40

mat'l. code		surface ASME Y14.5	tolerance ASME Y14.5	projection	product family TERMINAL BLOCK
ltr	ecn no	dr	date	tolerances unless otherwise specified	title
				angles X±1°	TERMINAL BLOCK
				scale	PLUGGABLE PLUG, WITH FLANGE
		dr	EVIN ZHONG	041814	dwg no
		enrg	EVIN ZHONG	041814	sheet 1 of 1
		chr	HANKE FENG	041814	size
		appd	SHI JUN	041814	A4
sheet index	revision	A			type
	sheet	1			CUSTOMER Drawing