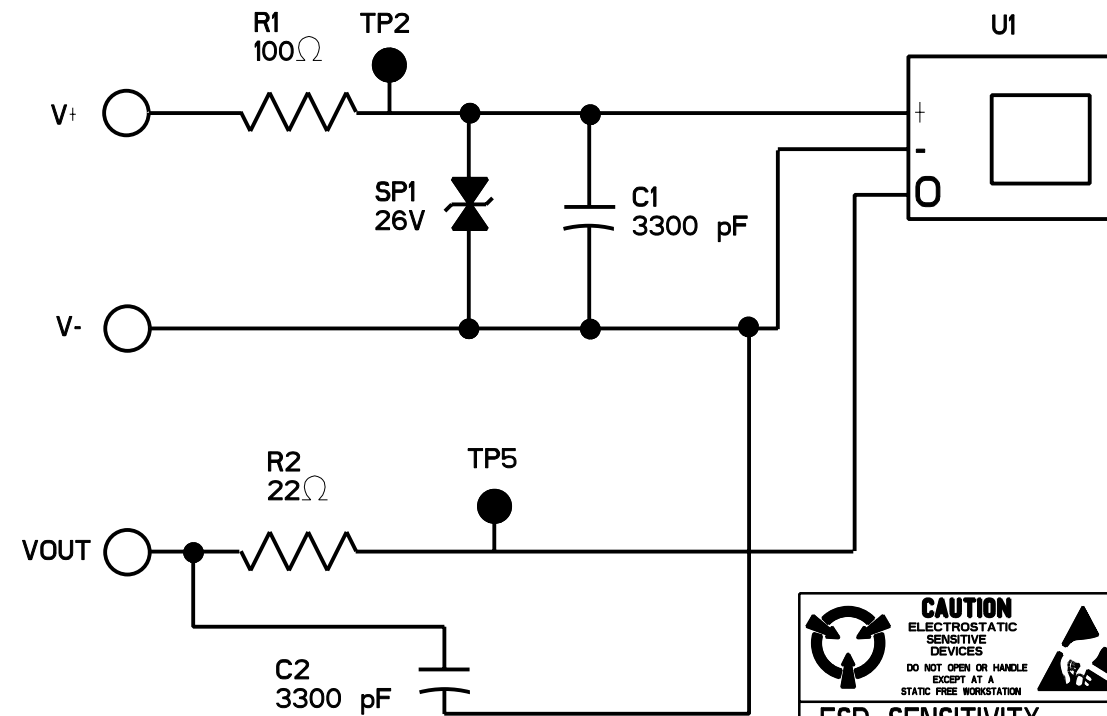
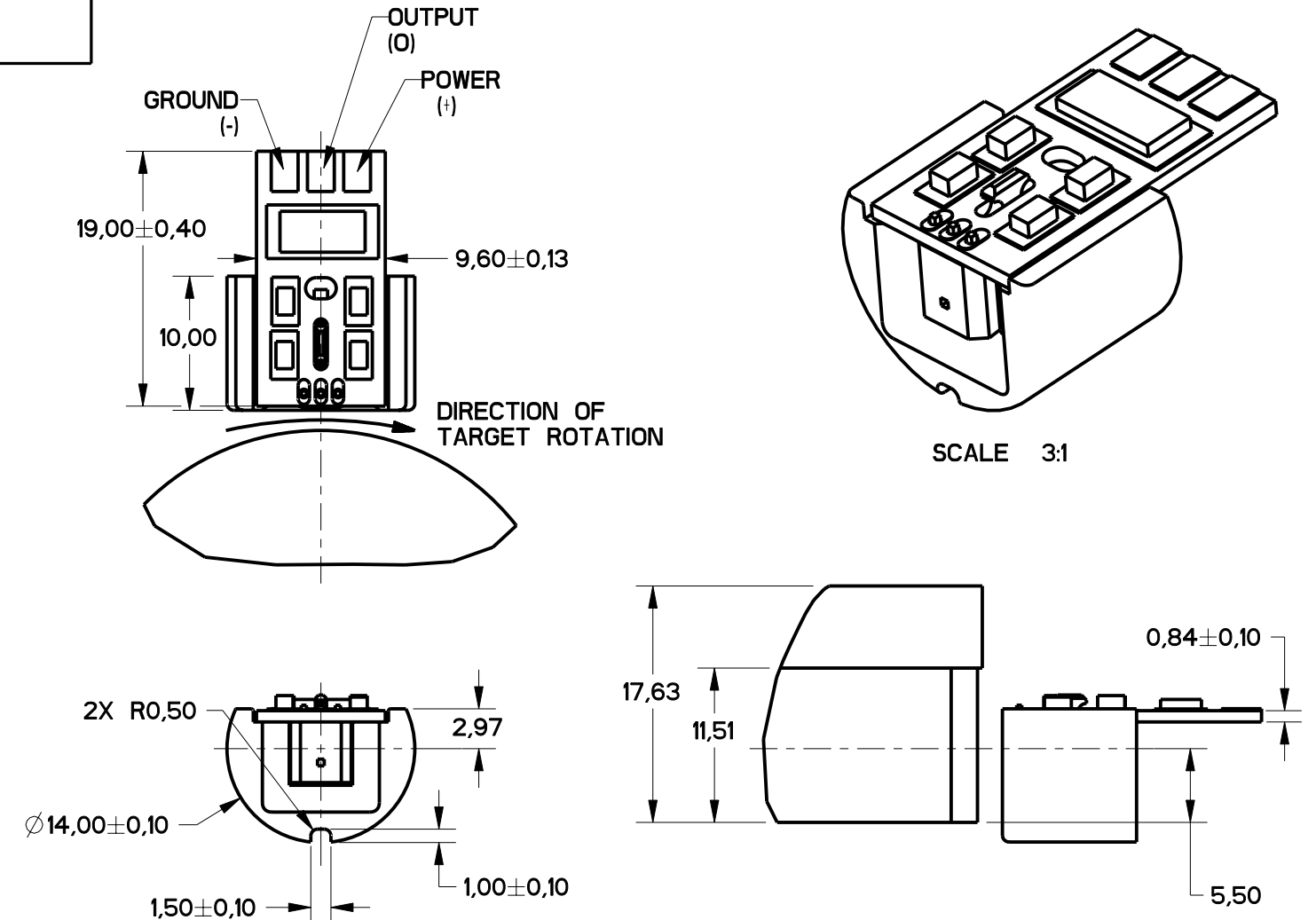
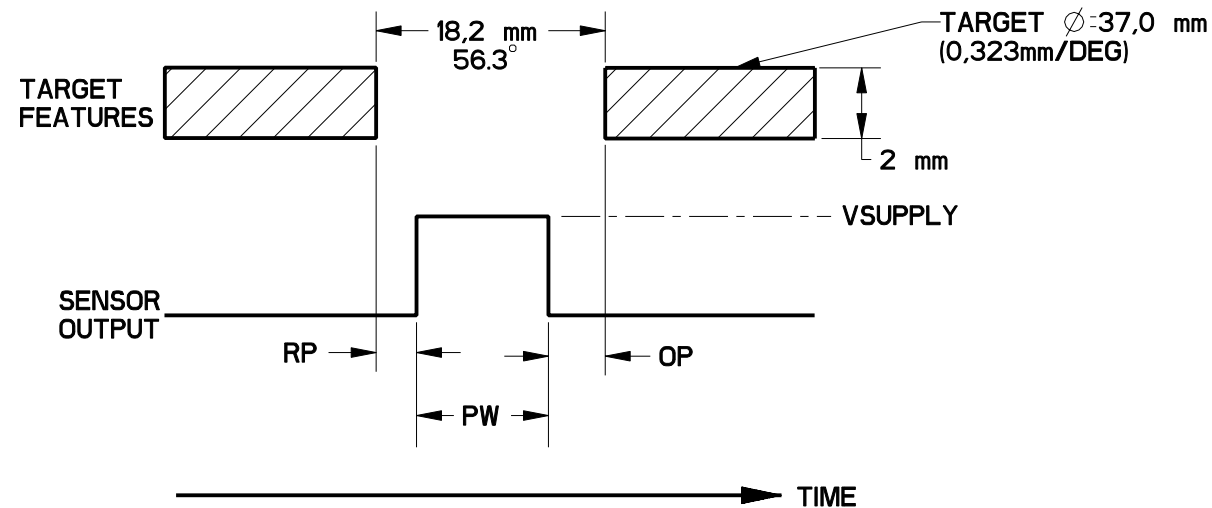


PRELIMINARY OPERATING SPECIFICATIONS

PARAMETER	CONDITION	DESIGN			UNITS	
		MIN.	NOM.	MAX.		
AG	AIR GAP	1	.30	.70	1.10	mm
AGm	AIR GAP MAX.	5			1.70	mm
Ta	TEMPERATURE		-40		130	°C
St	TARGET SPEED		0		4000	RPM
OP	OPERATE	2	-8.9	-5.2	-1.5	DEG.
RP	RELEASE	2	2.4	6.1	9.8	DEG.
PW	PULSE WIDTH	2	37.6	45.0	52.4	DEG.
Vs	SUPPLY VOLTAGE		6.0		16.0	VDC
Vmax	SUPPLY VOLTAGE MAX.				24.0	VDC
I	SUPPLY CURRENT				20.0	mA
Is	SINK CURRENT				10.0	mA
Tr	RISE TIME (R1=1KΩ)				18	uSec
Tf	FALL TIME				1	uSec
Vce(sat)	VOLTAGE COLLECTOR EMITTER (SATURATED)				600	mV
Iceo	LEAKAGE CURRENT (OFF)				20	uA
OPt	OPERATE OVER TEMP.	3	-11.4	-5.2	1.0	DEG.
RPt	RELEASE OVER TEMP.	3	0.1	6.1	12.3	DEG.
PWt	PULSE WIDTH OVER TEMP.	3	32.6	45.0	57.4	DEG.
DELTA OPs	DELTA OPERATE OVER SPEED	4	0.0		0.9	DEG.
DELTA RPs	DELTA RELEASE OVER SPEED	4	0.0		1.5	DEG.

NOTES

- 1 AIR GAP ASSUMES 0.75 mm OVERPACKAGE OF MODULE
- 2 80°C, 0.7 mm AIR GAP, 300 RPM, 12V
- 3 -30 TO 120°C, 0.7 mm AIR GAP, 300 RPM, 12V
- 4 80°C, 0.7 mm AIR GAP, 300 TO 3000 RPM, 12V
- 5 TWO PULSES PER ONE ROTATION AT 80°C, 1.7 mm AIR GAP, 300 RPM



CAUTION
ELECTROSTATIC SENSITIVE DEVICES
DO NOT OPEN OR HANDLE EXCEPT AT A STATIC FREE WORKSTATION

ESD SENSITIVITY:
CLASS 3

THIRD ANGLE PROJECTION

SCALE **3 : 1**

DO NOT SCALE PRINT

UNLESS OTHERWISE SPECIFIED TOLERANCES ARE

NO PLACE	(0)	±1
ONE PLACE	(0.0)	±0.4
TWO PLACE	(0.00)	±0.15
ANGLES		±
WEIGHT		

CATALOG LISTING **3GC401** PAGE 1 OF 1
 ISSUE **3**
 REVISIONS
A PR-23276 KAG 22 JAN 98
B CD 96148 GRT 3 APR 00
 CHECK
 CHECK
 CHECK
 DRAWN **WJC** 21 NOV 97
 PTC/CAD