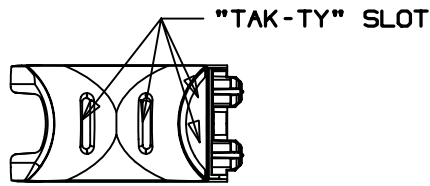
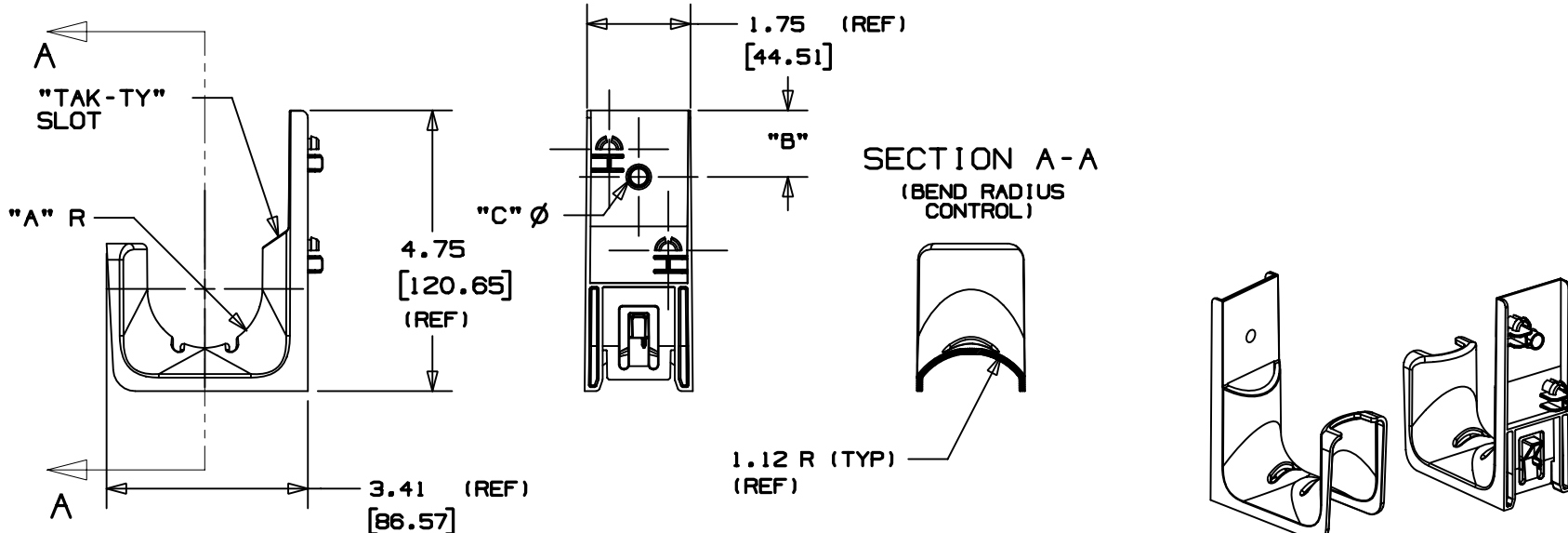


THIS COPY IS PROVIDED ON A RESTRICTED BASIS AND IS NOT TO BE USED IN ANY WAY DETRIMENTAL TO THE INTERESTS OF PANDUIT CORP.



PANDUIT PART NO. *	DIMENSIONS			PRODUCT WORKS WITH PANDUIT PART NUMBERS	WEIGHT lbs. / 10 (g) / pcs.
	"A" (REF)	"B" (REF)	"C"		
JMJH2-___	1.00 (25.4)	1.125 (28.57)	0.280 (7.11)	JMCM25-1, JMCM25-3, JMCM (SEE NOTE 4)	1.01 (456.86)



NOTES:

- SEE CURRENT PRICE SHEET FOR PART NUMBER SUFFIX DESIGNATION FOR PACKAGE SIZE AND PRODUCT COLOR.
- PRODUCT IS DESIGNED TO SUPPORT A MAXIMUM 2.0" DIAMETER BUNDLE. RECOMMENDED MAXIMUM STATIC LOAD: 30.0 lbs.
- PRODUCT INCORPORATE FEATURES ALLOWING USER TO SECURE CABLE BUNDLES IN JMOD PRODUCT WITH "TAK-TY" CABLE TIES UP TO 3/4" WIDE.
- JMJH2 INCORPORATES FEATURES THAT ALLOW FOR RAPID INSTALLATION TO THE FOLLOWING PANDUIT ACCESSORIES FOR A VARIETY OF MOUNTING CONFIGURATIONS:
 - JMCM25-1 (CABLE MANAGEMENT ANGLE BRACKET-SINGLE LEVEL) (RIVET ASSEMBLIES AVAILABLE FOR A VARIETY OF APPLICATIONS)
 - JMCM25-3 (CABLE MANAGEMENT ANGLE BRACKET-THREE LEVEL) (RIVET ASSEMBLIES AVAILABLE FOR A VARIETY OF APPLICATIONS)
 - JMCM (CABLE MANAGEMENT CHAINING BRACKET EXTENDER) (DEVICE IS USED TO ADD UP-TO 2 ADDITIONAL LEVELS OF CABLE MANAGEMENT TO JMCM25-1)

DIMENSIONS IN BRACKETS ARE METRIC [mm]	
CAD FILENAME/LAYERS: G02672DC_PB_JMJH2_00	
PANDUIT CORP. TINLEY PARK, ILLINOIS	
(JMCM25-___) JMOD J HOOK	
UNLESS OTHERWISE SPECIFIED, DIMENSIONAL TOLERANCES ARE: (.X) ±0.05 (1.3) (.XX) ±0.010 (0.25) (.XX) ±0.02 (0.5) ANGLES ± 5°	UNLESS OTHERWISE SPECIFIED, ALL DIMENSIONS ARE GIVEN IN INCHES, THIRD ANGLE PROJECTION.
DRAWN BY: JAD	MAT'L: NYLON 6/6
DATE: 4/1/03	SCALE: NONE
GR'D	DRAWING NO. GB2672DC
	DWG SIZE: A

REV	DATE	BY	CHK	DESCRIPTION	ECN - R	CUST	SUP
R	4/1/03	JAD		INITIAL RELEASE	GB2672DC	R	