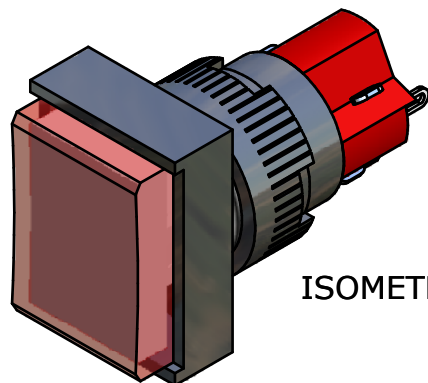
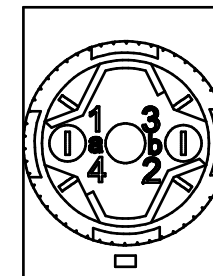
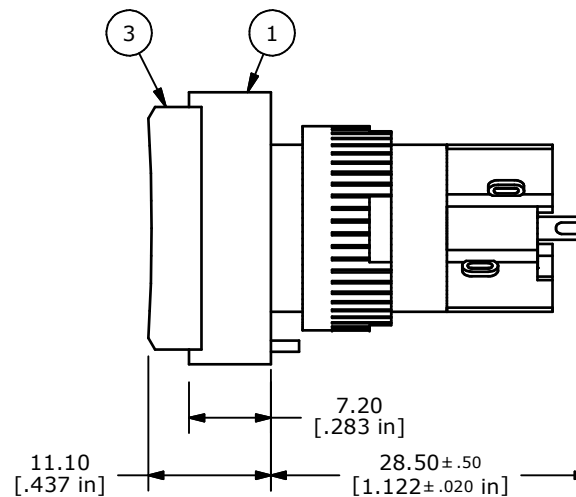
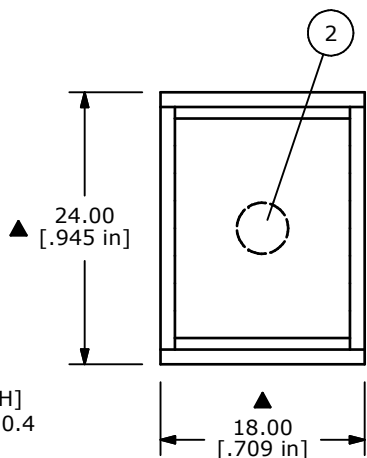
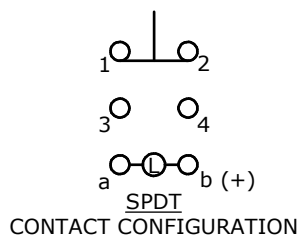


PANEL MOUNTING



ISOMETRIC

| PARTS LIST | | | |
|------------|-----|-------------|------------------------------|
| ITEM | QTY | PART NUMBER | DESCRIPTION |
| 1 | 1 | F040007 | D16OAT11 |
| 2 | 1 | F050420 | 5000420 12VDC RED LED |
| 3 | 1 | F050204 | 5000204 TRANSPARENT RED LENS |



- NOTE:
1. ALL DIMENSIONS IN MM [INCH]
 2. GENERAL TOLERANCE: X.X=±0.4
X.XX=±0.25
 3. TERMINAL NUMBERS FOR REF ONLY
 4. RATING: 5A @ 250 VAC
6A @ 24 VDC
 5. ELECTRIC LIFE: 50,000 MAKE-AND-BREAK CYCLES AT FULL LOAD.
 6. INSULATION RESISTANCE: 1,000 MEGA-OHM MIN.
 7. PANEL THICKNESS: 0.5 - 5.0 mm
 8. SEAL RATING: IP40
 9. OPERATING TEMP.: -20°C to 55°C
 - ▲ 10. LAMP VOLTAGE: 12V DC RED LED
 - ▲ 11. ▲ DENOTES CRITICAL PARAMETER.
 12. 2002/05/EC (ROHS) COMPLIANT.
 13. PACKAGE: BOX/20 PIECES PER BOX



TITLE D16OAT11JREDRED

| | | | | |
|-----|--------|-------------------------|----------|-----|
| A | 19401 | RELEASED FOR PRODUCTION | 11/01/10 | BLR |
| REV | PCR NO | DESCRIPTION | DATE | BY |

| | | | | |
|-------|-----------|-----|---------|-----|
| SCALE | DATE | DR | DWG | REV |
| 1.5:1 | 11/2/2010 | BLR | XF0830P | A |

THE INFORMATION CONTAINED IN THIS DOCUMENT IS PROPRIETARY TO E-SWITCH AND IS NOT TO BE COPIED OR TRANSFERRED