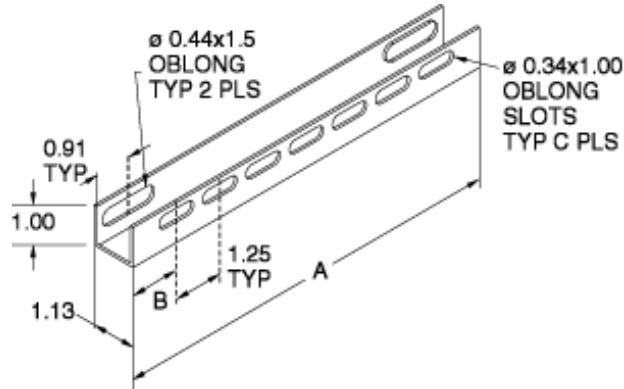


DIN Rail Mounting Kit *DRMK Series*

- Field installable.
- Mounts directly to panel collar studs (panel not required).
- Accepts optional DIN rails.
- DIN rails available separately.
- Zinc plated, yellow dichromate.



Part No.	A	B	C
2DMK12	10.00	1.25	7.00
2DMK16	14.00	0.75	11.00
2DMK20	18.00	0.88	14.00
2DMK24	22.00	1.00	17.00
2DMK30	28.00	0.88	22.00

Data subject to change without notice