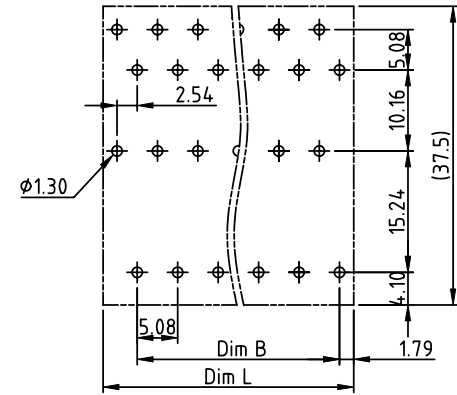
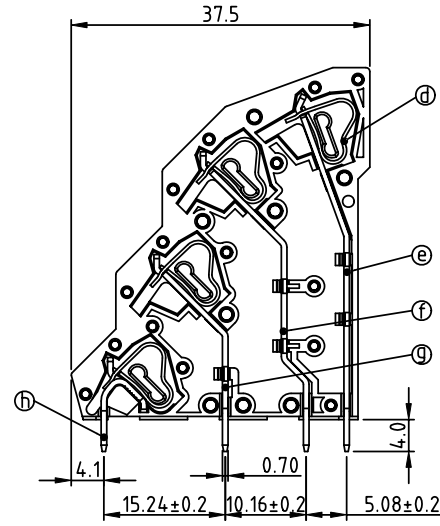
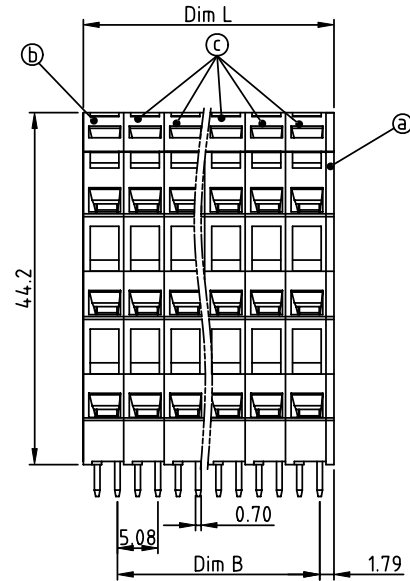


PRODUCT NUMBER	PITCH
HSxx30x100J0G	5.08mm



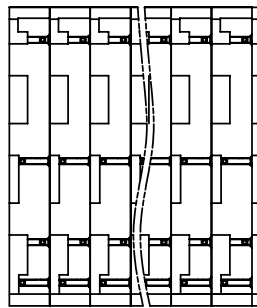
RECOMMENDED P.C.B. LAYOUT
TOP VIEW

Material:

- Item a Insulator(Cover): Thermoplastic (UL94V-0)
- Item b Insulator(Side housing): Thermoplastic (UL94V-0)
- Item c Insulator(Middle housing): Thermoplastic (UL94V-0)
- Item d Spring clamp: Stainless steel
- Item e Solder Pin (The fourth level) : Brass, Tin plated
- Item f Solder Pin (The third level) : Brass, Tin plated
- Item g Solder Pin (The second level) : Brass, Tin plated
- Item h Solder Pin (The first level) : Brass, Tin plated

Electrical:

- Voltage rating: 300V
- Current rating: 10A
- Wire range:
- Solid wire(AWG): 12-28
- Stranded wire(AWG): 12-28
- Wire strip length: 6-7mm
- Withstanding Voltage: 1.6KV
- Operating temperature: -40°C to +115°C
- Soldering temperature: 260°C±5°C/5 Sec
- Safety Approval:



N=Number of poles
Dim L=N/4×5.08+1.0
Dim B=(N/4-1)×5.08

Poles	Dim L	Dim B
4x1p	±0.10	
4x2p-4x6p	±0.15	±0.15
4x7p-4x12p	±0.25	±0.25
4x13p-4x18p	±0.35	±0.30
4x19p-4x24p	±0.45	±0.40

PART NO.: HS xx 30 x 100J0 G

No. of poles	Color	RoHS compliant
0	Black (RAL9005)	(lead<4%) In copper Alloy
04	Red (RAL3001/D)	
08	Orange(RAL2011/P)	
...	4 Yellow(RAL1018/A)	
...	5 Green(RAL6018/T)	
96	6 Blue (RAL5015/A)	
	8 Grey(RAL7004/P)	
	9 White(RAL1102)	
	C Multiple colors	

mat'l. code		surface ASME Y14.5	tolerance ASME Y14.5	projection	product family
ltr	ecn no	dr	date		TERMINAL BLOCK
tolerances unless otherwise specified				MM	title
angles				MM	TERMINAL BLOCK
X°±1°				scale	SPRING CLAMP,45D WIRE INLET,4-LEVEL, INTERLACE TYPE
dr EVIN ZHONG 053014					dwg no
enr EVIN ZHONG 053014					sheet 1 of 1
chr HANKE FENG 053014					size
appd SHI JUN 053014					A4
sheet index	revision	A		type CUSTOMER Drawing	
	sheet	1			