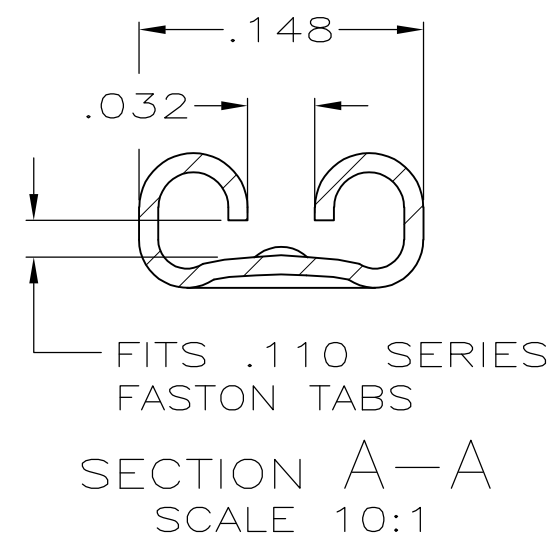
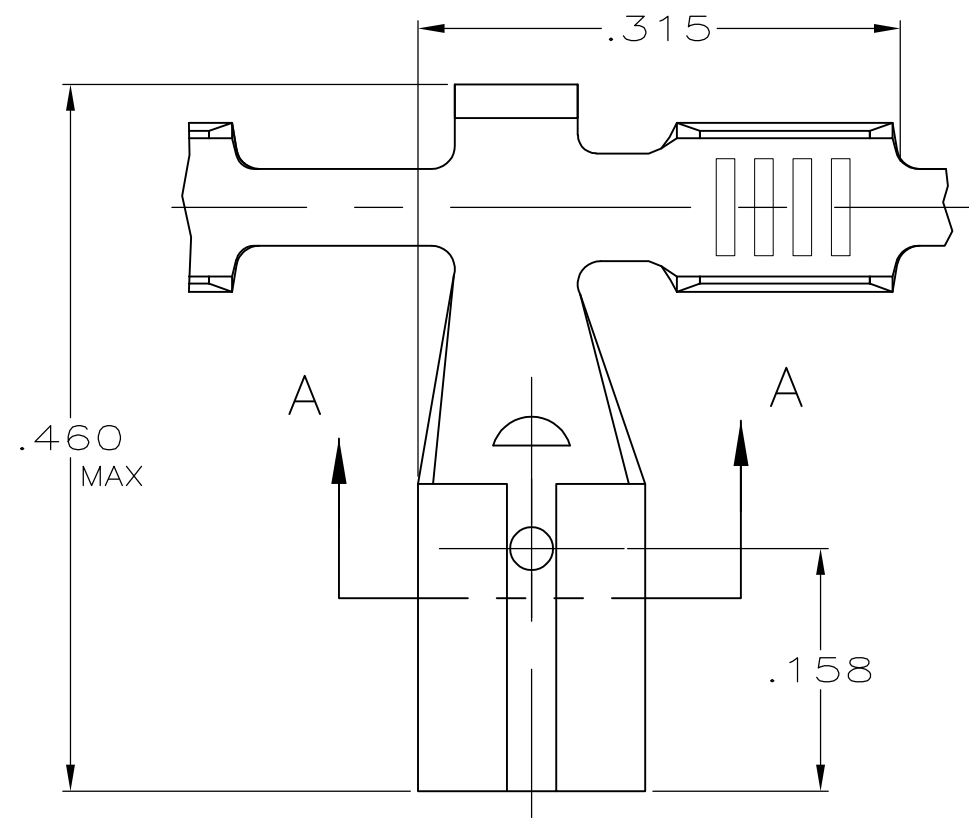
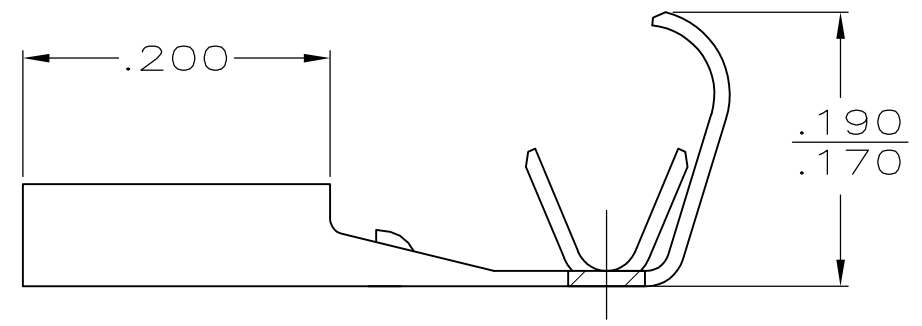
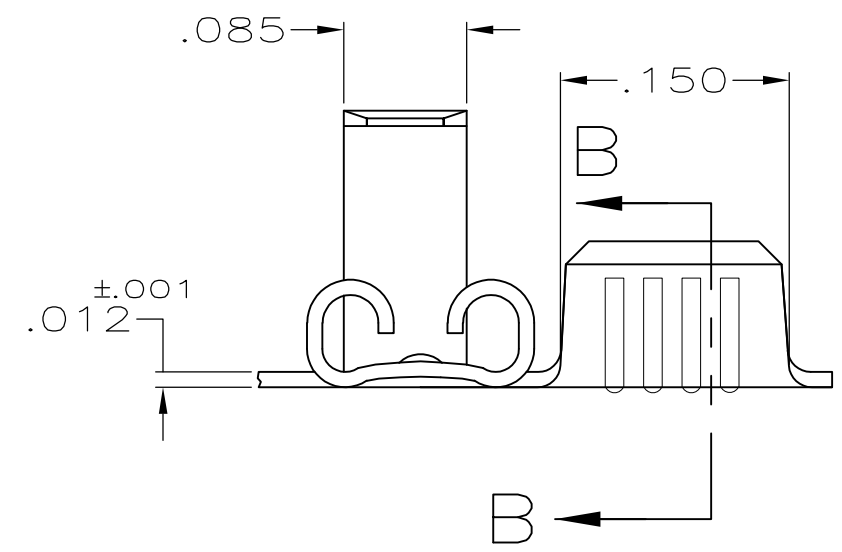
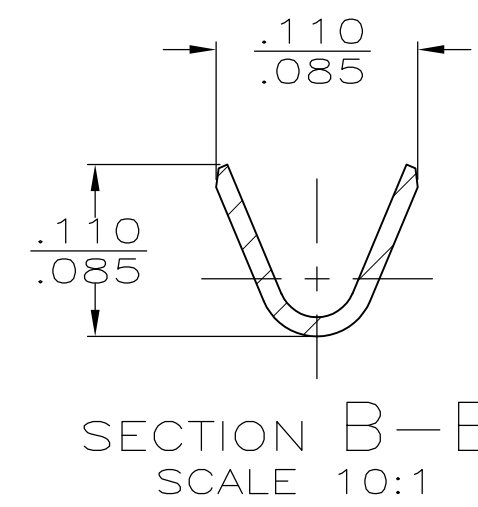


THIS DRAWING IS UNPUBLISHED. RELEASED FOR PUBLICATION
 © COPYRIGHT - By - ALL RIGHTS RESERVED.

LOC	DIST	REVISIONS					
AF	50	P	LTR	DESCRIPTION	DATE	DWN	APVD
			H	REVISED PER ECR-12-013445	09NOV12	KH	PD



- 1 CONTINUOUS STRIP ON REELS
- 2 FEED TO BE $.430 \pm .005$



.065-.100 DIA		22-18 AWG		.020		60605-1			
INSULATION RANGE		WIRE SIZE		MATING TAB THK ±.001		PART NO			
THIS DRAWING IS A CONTROLLED DOCUMENT.				DWN JR RUTH 4/24/91		TE Connectivity			
DIMENSIONS: INCHES 				CHK MS FEHER 4/24/91				NAME RECEPTACLE, FASTON, FLAG, .110 SERIES	
				APVD C MEYERS 4/24/91					
TOLERANCES UNLESS OTHERWISE SPECIFIED: 0 PLC ± - 1 PLC ± - 2 PLC ± - 3 PLC ± .015 4 PLC ± - ANGLES ± -				PRODUCT SPEC		RESTRICTED TO			
MATERIAL BRASS				FINISH TIN		WEIGHT - SIZE A3 CAGE CODE 00779 DRAWING NO C-60605			
CUSTOMER DRAWING						SCALE 8:1 SHEET 1 OF 1 REV H			