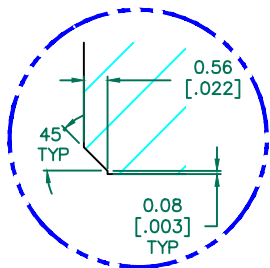


SEE DETAIL "A"  
SECTION A-A

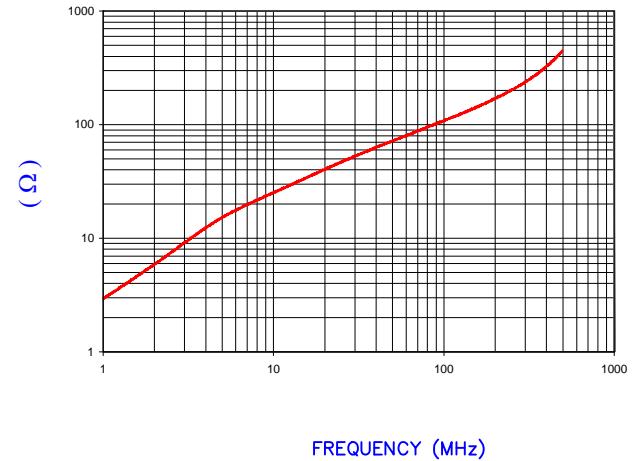


DETAIL "A"  
CHAMFER  
SCALE=4:1

**UNCONTROLLED DOCUMENT**

IMPEDANCE ( Z )			
Frequency	25 MHz	100 MHz	300 MHz
Nominal (REF)	46 Ω	110 Ω	240 Ω
Minimum	- Ω	88 Ω	- Ω

Z vs. FREQUENCY  
(REF. ONLY)



AGILENT E4991A Impedance/Material Analyzer  
HP 16092A Test Fixture

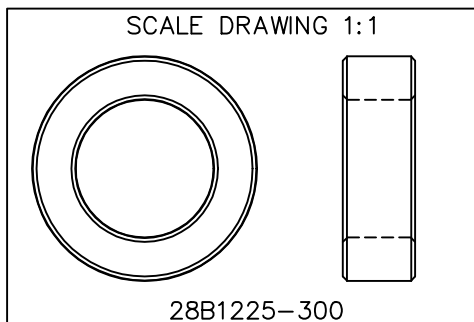
FERRITE CORE DIMENSIONS (SPEC): mm/inches

A	31.12 [1.225]	± 0.61 [0.024]
B	19.05 [0.750]	± 0.41 [0.016]
C	10.00 [0.394]	± 0.30 [0.012]

WEIGHT/1000 23.25 kgs [51.26Lbs]

NOTES: UNLESS OTHERWISE SPECIFIED

1. COSMETIC SPECIFICATION REFER TO WI-QA-038.



DIMENSIONS ARE IN mm [INCHES].				This print is the property of Laird Tech. and is loaned in confidence subject to return upon request and with the understanding that no copies shall be made without the written consent of Laird Tech. All rights to design or invention are reserved.	
D	UPDATE COMPANY LOGO	05/22/15	QIU	PROJECT/PART NUMBER: <b>28B1225-300</b>	
C	UPDATE FORMAT & Z SPECS AND CURVE	07/22/03	JRK		
B	UPDATE FORMAT, ADD NOTE # 1 UPDATE Z SPECS	05/09/02	JRK	REV <b>D</b>	DRAWN BY: JRK
A	ORIGINAL DRAFT	04/26/02	JRK	DATE: 04/26/02	SCALE: 1 : 1
REV	DESCRIPTION	DATE	INT	CAD # 28B1225-300-D	MATERIAL: <b>FERRITE</b>
				TOOL # B1225	

