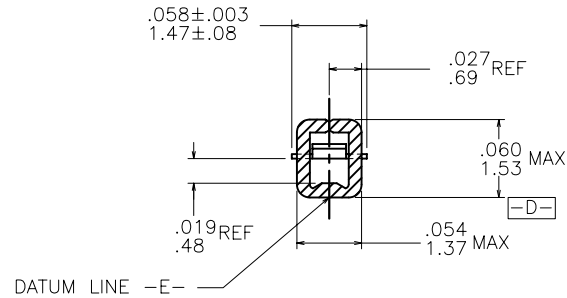
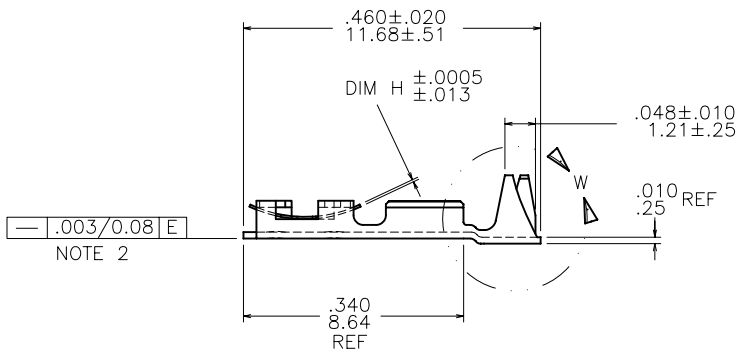
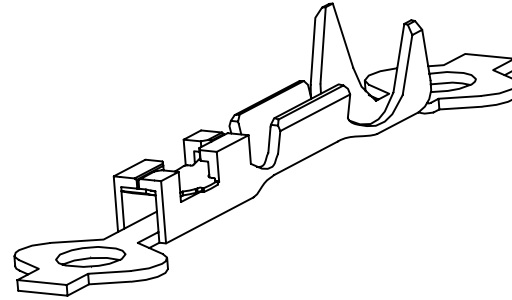
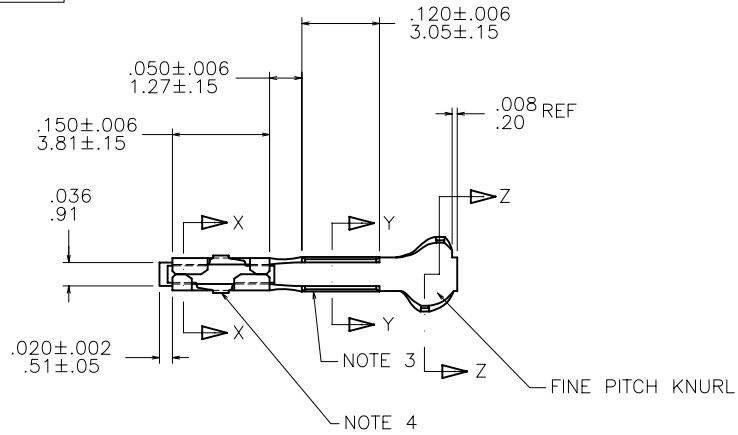


PRODUCT NUMBER
SEE TABLE

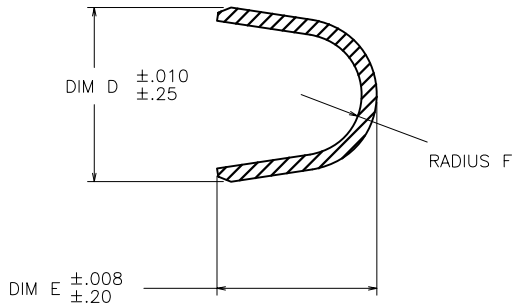


SECTION X-X
SCALE 2:1

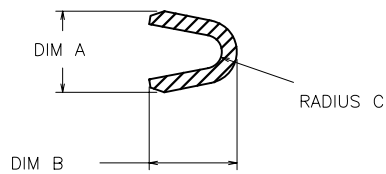
28-32,22-26 AND 18-20 AWG TERMINAL

mat'l. code SEE NOTE 3				surface <input checked="" type="checkbox"/> tolerance		projection	product family PV TERMINALS	
ltr	ecn no	dr	date	tolerances unless otherwise specified		INCH/MM	title	
F	v61315	EPK	1996-11-07	angles	XX +.01/X+3		scale 4:1	MINI PV™ RECEPTACLE
G	v05-0268	HTB	2005-03-30		XXX +.005/XX+.13	C.T.W. - CuNi		
H	v06-0624	HTB	2006-06-30	0° ±2'	XXXX +.0020/XXX+.051	dwg no		
J	v08-0116	HTB	2008-04-08	dr	E.J. HALEY	1987-11-02	sheet 1 of 3 size	
				engr	H. SUNDY	1987-11-02	76804 A4	
				chr	H. SUNDY	1987-11-02	type	
				appd	H. SUNDY	1987-11-02	CUSTOMER Drawing	
sheet index	revision sheet	J	J	J				
		1	2	3				

PRODUCT NUMBER
SEE TABLE



SECTION Z-Z
INSULATION BARREL
SCALE 2:1



SECTION Y-Y
WIRE BARREL
SCALE 2:1

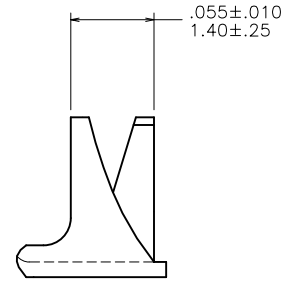


FIGURE W
32-36 AWG TERMINAL

NOTES :

1. TERMINAL MATES WITH .025±.001/0.64±0.05 SQUARE OR ROUND PIN.
- ② WHEN MEASURED ALONG DATUM -E- WITHIN .340/8.64 REF DIM.
- ③ BODY : 1/4 HARD Cu Ni MAT'L SEE TABLE FOR PLATING IN CONTACT AREA.
SPRING : Be/Cu MAT'L PLATED WITH AU FLASH.
4. FOR PROPER CRIMPING INSTRUCTION SEE:
TA-75 WHEN USED WITH MINI LATCH HOUSING
TA-146 WHEN USED IN DISCRETE APPLICATION.
5. PARTS SUPPLIED ON REEL (10000 TERMINALS) OR LOOSE PIECE (1000/BOX).
6. APPLICABLE SPECIFICATION :
BUS-12-067: PRODUCT SPECIFICATION.
- ⑦ PRODUCT MEETS EUROPEAN UNION DIRECTIVES AND OTHER COUNTRY REGULATIONS AS DESCRIBED IN IN GS-22-008.
8. THIS PRODUCT IS NOT INTENDED TO BE EXPOSED TO MANUFACTURING SOLDERING PROCESSES.

mat'l. code		surface		tolerance		projection		product family	
SEE NOTE 3		✓				INCH/MM		PV TERMINALS	
ltr	ecn no	dr	date	tolerances unless otherwise specified		INCH/MM		title	
J				angles	°' ±2'	°' ±2'	°' ±2'	MINI PV™ RECEPTACLE	
								C.T.W. - CuNi	
								scale 10:1	
		dr	E.J. HALEY	1987-11-02				dwg no	
		enr	H. SUNDY	1987-11-02				sheet 2 of 3	
		chr	H. SUNDY	1987-11-02				size	
		appd	H. SUNDY	1987-11-02				A4	
sheet index	revision sheet							type CUSTOMER Drawing	

PRODUCT NUMBER		AWG RANGE	DIM H SPRING THICKNESS	AU PLATING IN CONTACT AREA
REELED	LOOSE-PIECE			
76804-001	76804-002		O B S O L E T E	
76804-003	76804-004		O B S O L E T E	
76804-005	76804-006		O B S O L E T E	
76804-007	76804-008		O B S O L E T E	
76804-007LF	76804-008LF	28-32	.0048/0.122	15u"/.38u
76804-009	76804-010		O B S O L E T E	
76804-009LF	76804-010LF	22-26	.0048/0.122	15u"/.38u
76804-011	76804-012		O B S O L E T E	
76804-011LF	76804-012LF	18-20	.0048/0.122	15u"/.38u
76804-013	76804-014		O B S O L E T E	
76804-013LF	76804-014LF	28-32	.0065/0.165	15u"/.38u
76804-015	76804-016		O B S O L E T E	
76804-015LF	76804-016LF	22-26	.0065/0.165	15u"/.38u
76804-017	76804-018		O B S O L E T E	
76804-017LF	76804-018LF	18-20	.0065/0.165	15u"/.38u
76804-019	76804-020		O B S O L E T E	
76804-021	76804-022		O B S O L E T E	
76804-021LF	76804-022LF	22-26	.0035/0.089	30u"/.76u
76804-023	76804-024		O B S O L E T E	
76804-025	76804-026		O B S O L E T E	
76804-025LF	76804-026LF	28-32	.0048/0.122	30u"/.76u
76804-027	76804-028		O B S O L E T E	
76804-027LF	76804-028LF	22-26	.0048/0.122	30u"/.76u
76804-029	76804-030		O B S O L E T E	
76804-029LF	76804-030LF	18-20	.0048/0.122	30u"/.76u
76804-031	76804-032		O B S O L E T E	
76804-031LF	76804-032LF	28-32	.0065/0.165	30u"/.76u
76804-033	76804-034		O B S O L E T E	
76804-033LF	76804-034LF	22-26	.0065/0.165	30u"/.76u
76804-035	76804-036		O B S O L E T E	
76804-035LF	76804-036LF	18-20	.0065/0.165	30u"/.76u
76804-037	76804-038		O B S O L E T E	
76804-039	76804-040		O B S O L E T E	
76804-039LF	76804-040LF	32-36	.0048/0.122	15u"/.38u
76804-041	76804-042		O B S O L E T E	
76804-041LF	76804-042LF	32-36	.0065/0.165	15u"/.38u
76804-043	76804-044		O B S O L E T E	
76804-045	76804-046		O B S O L E T E	
76804-045LF	76804-046LF	32-36	.0048/0.122	30u"/.76u
76804-047	76804-048		O B S O L E T E	
76804-047LF	76804-048LF	32-36	.0065/0.165	30u"/.76u


AWG RANGE	WIRE BARREL			INSULATION BARREL		
	DIM A	DIM B	RADIUS C	DIM D	DIM E	RADIUS F
28-32	.054/1.37	.058/1.47	.011/0.28	.115/2.92	.105/2.67	.040/1.02
22-26	.070/1.78	.070/1.78	.017/0.43	.139/3.53	.120/3.05	.050/1.27
18-20	.104/2.64	.104/2.64	.021/0.53	.139/3.53	.120/3.05	.050/1.27
32-36	.054±.006 1.37±.15	.046±.006 1.17±.15	.010/0.25	.067/1.70	.061/1.55	.020/0.51

A

A

B

B

mat'l. code		surface		tolerance		projection		product family	
SEE NOTE 3								PV TERMINALS	
ltr	ecn no	dr	date	tolerances unless otherwise specified		INCH/MM		title	
J				angles	XXX ±.01/XX±3			MINI PV™ RECEPTACLE	
				0° ±2'	XXX ±.005/XX±.13	scale 1:1		C.T.W. - CuNi	
					XXXX ±.0020/XXX±.051			dwg no	
				dr	E.J. HALEY	1987-11-02		sheet 3 of 3 size	
				engr	H. SUNDY	1987-11-02		76804 A4	
				chr	H. SUNDY	1987-11-02		type	
				appd	H. SUNDY	1987-11-02		CUSTOMER Drawing	
sheet index	revision sheet								