

MATERIALS AND FINISHES:

BODY, OUTER CONTACT, RETAINING WASHER,
AND FERRULE: BRASS
PLATED NICKEL

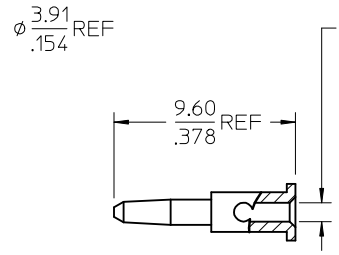
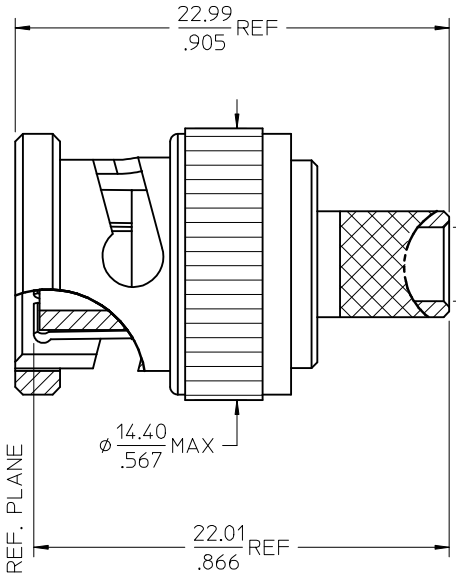
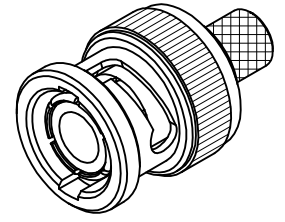
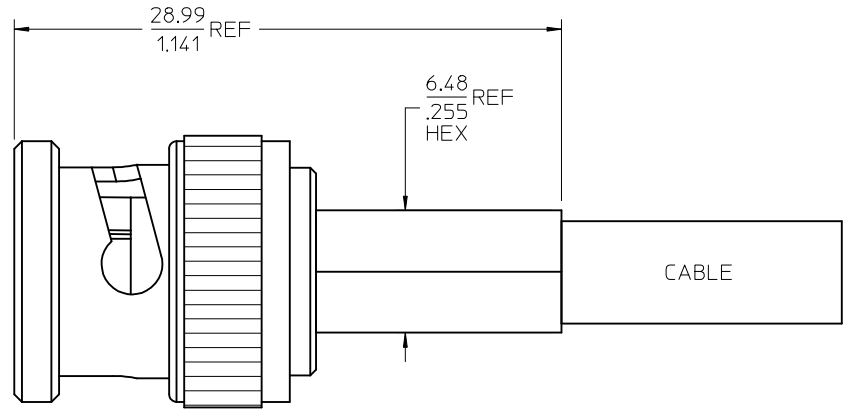
COUPLING NUT: ZINC ALLOY
PLATED NICKEL

CENTER CONTACT: BRASS
PLATED GOLD

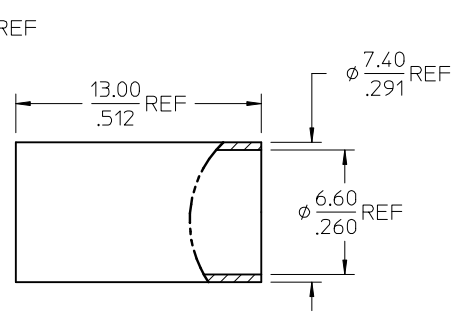
SPRING WASHER: BERYLLIUM COPPER
PLATED NICKEL

INSULATOR: POLYPROPYLENE

GASKET: SILICONE RUBBER



CONTACT
SOLDER/CRIMP
HEX 1.69 (.066)



CRIMP TUBE

PART # 73105-5003
PACKAGED INDIVIDUALLY

CONNECTOR SUBASSY

AS-73597-0032	ASSEMBLY INSTRUCTION
PS-73598-0024	PRODUCT SPEC.
SPECIFICATION	DESCRIPTION

CHG: MOVED INTO WM	DESCRIPTION
EC NO: URF2009-0657	2009/05/07
DRWN: JLEE02	2009/05/07
CHKD: SSS	2009/05/07
APPR: WIENER	2009/05/07
REV	
C1	

QUALITY SYMBOLS	$\nabla=0$ $\nabla=0$															
GENERAL TOLERANCES (UNLESS SPECIFIED)	<table border="1"> <tr> <th></th> <th>mm</th> <th>INCH</th> </tr> <tr> <td>4 PLACES</td> <td>± .005</td> <td>± .0002</td> </tr> <tr> <td>3 PLACES</td> <td>± .002</td> <td>± .0001</td> </tr> <tr> <td>2 PLACES</td> <td>± .001</td> <td>± .00005</td> </tr> <tr> <td>1 PLACE</td> <td>± .0005</td> <td>± .00002</td> </tr> </table>		mm	INCH	4 PLACES	± .005	± .0002	3 PLACES	± .002	± .0001	2 PLACES	± .001	± .00005	1 PLACE	± .0005	± .00002
	mm	INCH														
4 PLACES	± .005	± .0002														
3 PLACES	± .002	± .0001														
2 PLACES	± .001	± .00005														
1 PLACE	± .0005	± .00002														
	ANGULAR ± 2°															

DRAFT WHERE APPLICABLE MUST REMAIN WITHIN DIMENSIONS
--

DIMENSION STYLE	MM/IN
DRAWN BY	IRIS WANG
DATE	1991/01/18
CHECKED BY	
DATE	
APPROVED BY	
DATE	
MATERIAL NO.	731055003
SIZE	C

SCALE	DESIGN UNITS	THIRD ANGLE PROJECTION
	METRIC	
TITLE		
BNC PLUG, STRAIGHT, CRIMP/CRIMP NON CAPTIVE RG59B/U, RG62A/U		
MOLEX MOLEX INCORPORATED		
DOCUMENT NO.	SD-73105-5003	SHEET NO.
		1 OF 1
THIS DRAWING CONTAINS INFORMATION THAT IS PROPRIETARY TO MOLEX INCORPORATED AND SHOULD NOT BE USED WITHOUT WRITTEN PERMISSION		