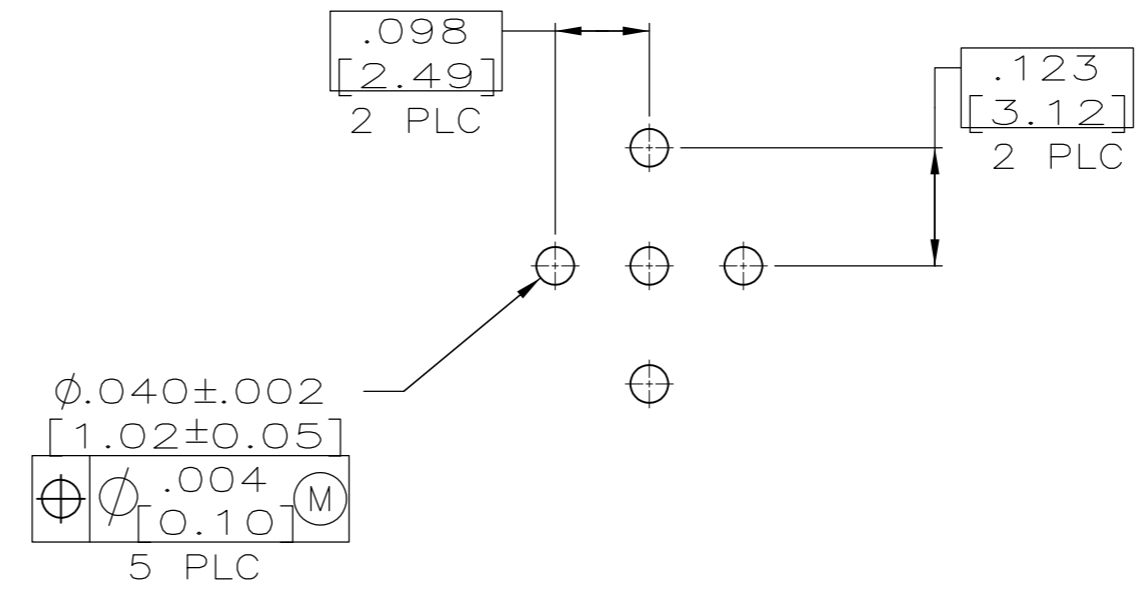
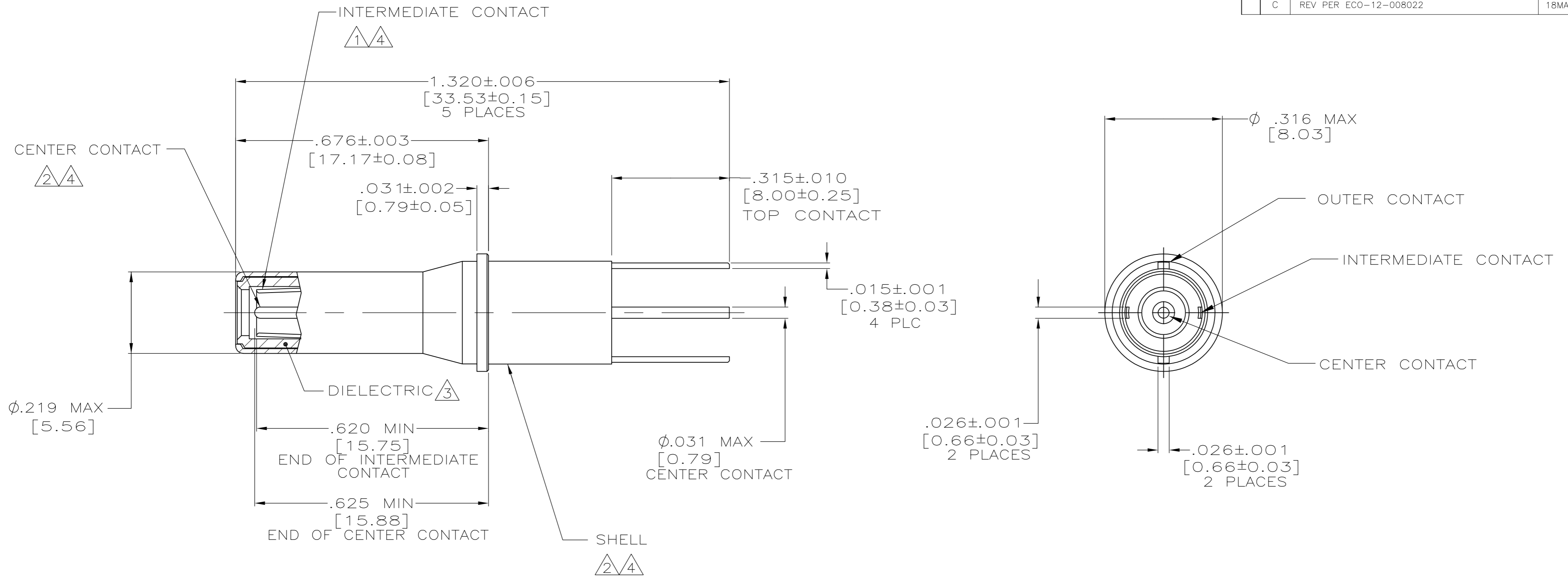


THIS DRAWING IS UNPUBLISHED. RELEASED FOR PUBLICATION
 © COPYRIGHT - By - ALL RIGHTS RESERVED.

LOC		DIST		REVISIONS			
P	LTR	DESCRIPTION		DATE	DWN	APVD	
DF	X0	C	REV PER ECO-12-008022	18MAY12	PY	RG	



- 1 BERYLLIUM COPPER PER ASTM-B-196.
- 2 BRASS PER ASTM-B-16.
- 3 TEFLON PER ASTM-D-1710.
- 4 GOLD PLATE PER MIL-G-45204 OVER NICKEL PLATE PER QQ-N-290.

THIS DRAWING IS A CONTROLLED DOCUMENT.		DWN	C.C.THOMAS	9-30-93			
DIMENSIONS: INCHES		CHK	C.SHELLY	9-30-93			
TOLERANCES UNLESS OTHERWISE SPECIFIED:		APVD	-	-	NAME		
0 PLC ± -		PRODUCT SPEC	-	-	CONTACT ASSY,PCB,PIN, SIZE 8,ARINC-TRIAx		
1 PLC ± -		APPLICATION SPEC	-	-	SIZE	CAGE CODE	DRAWING NO
2 PLC ± -		WEIGHT	-	-	A2	00779	C=447436
3 PLC ± -		CUSTOMER DRAWING		SCALE	5:1	SHEET	1 of 1
4 PLC ± -				REV	C		
ANGLES ± -							
FINISH							