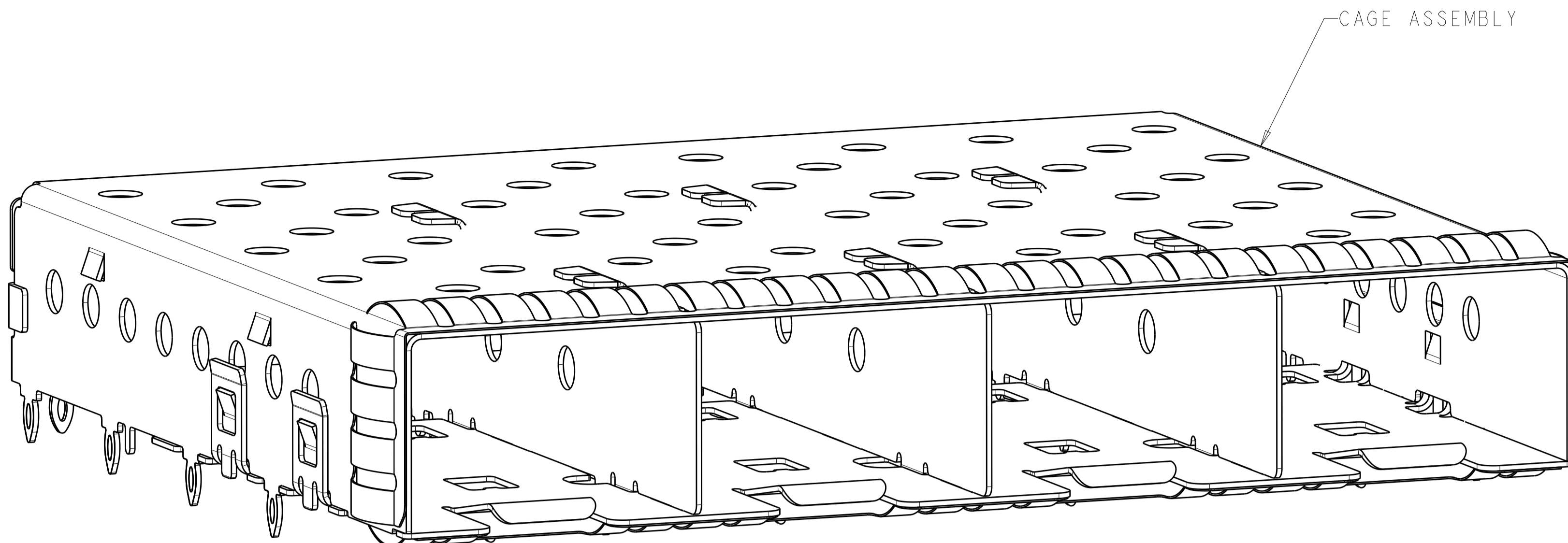
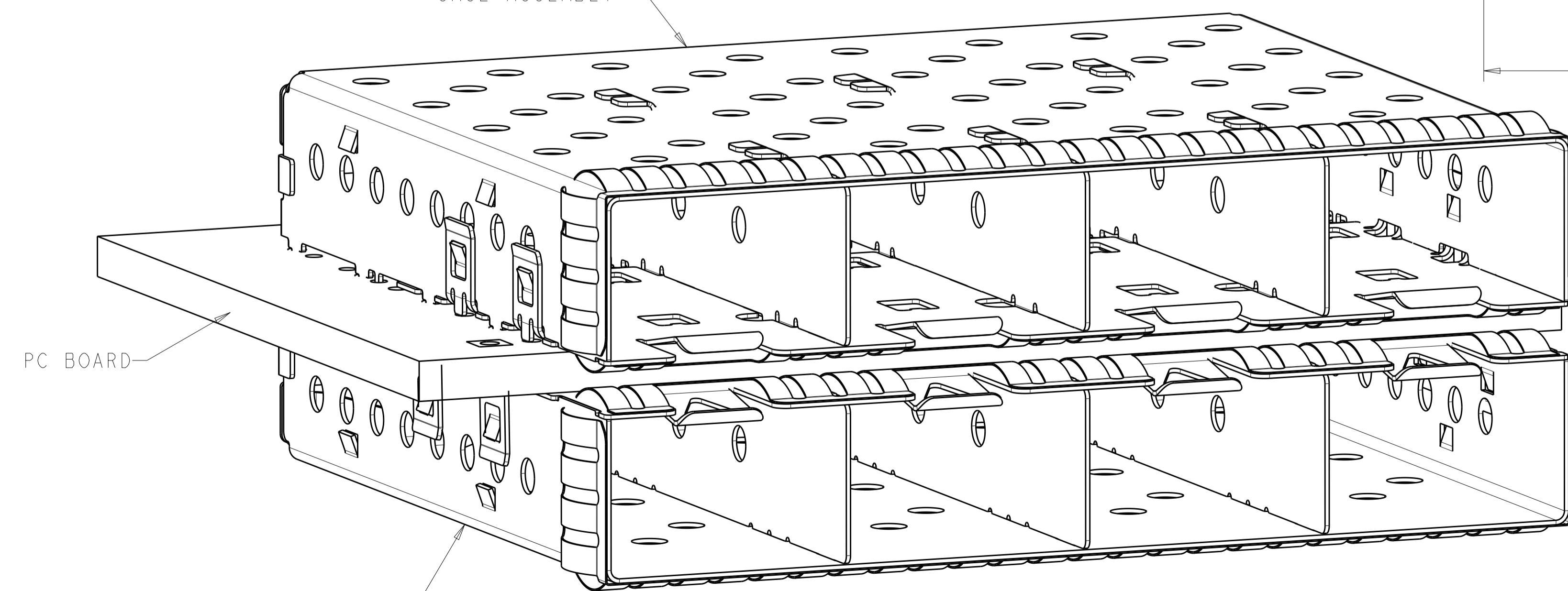
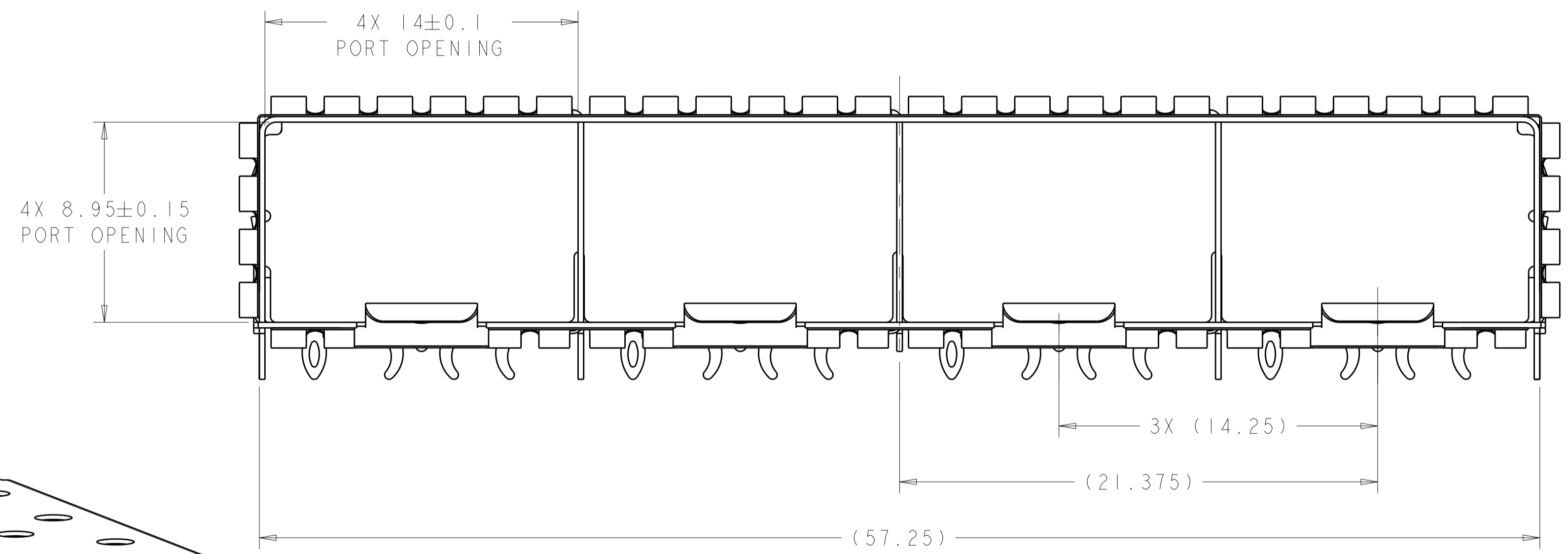
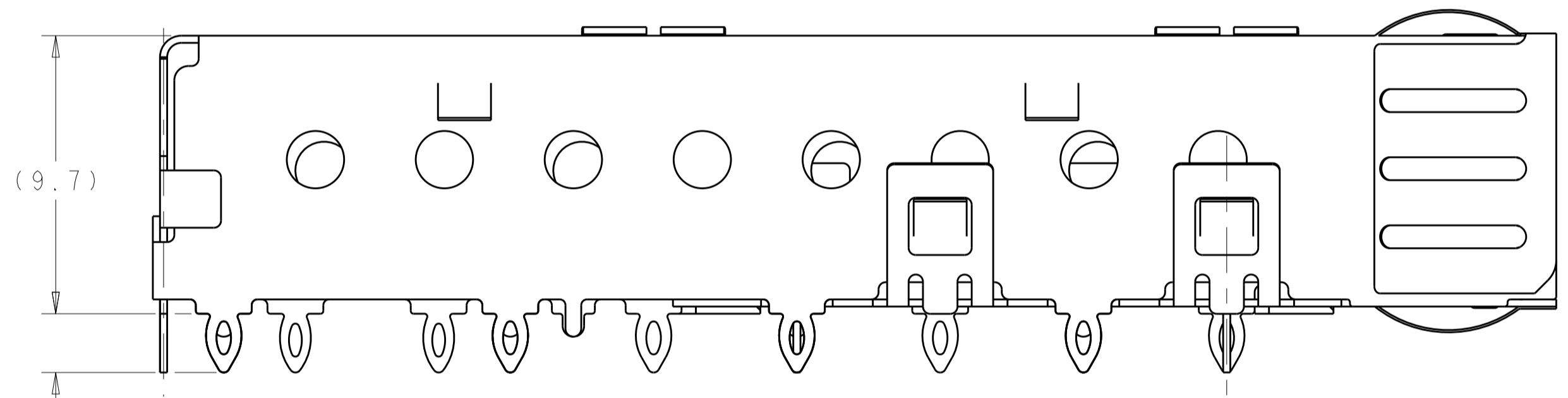


LOC	DIST	REVISIONS					
GP	00	P	LTN	DESCRIPTION	DATE	DWN	APVD
		B		REVISED PER ECO-09-022874	19OCT2009	CR	MS
		C		REVISED PER ECO-11-024172	07DEC2011	TX	AC
		D		REVISED PER ECO-12-014021	29NOV2012	TD	AC



- 1. MATERIAL: CAGE ASSEMBLY: 0.25mm THICK NICKEL SILVER ALLOY.
EMI SPRINGS: COPPER ALLOY
- 2. FINISH
SPRINGS: MINIMUM OF 0.8um MATTE TIN PLATED OVER A MINIMUM OF 0.8um NICKEL UNDERPLATE.
NON-PLATED EDGES PERMISSIBLE.
- 3. PADS AND VIAS CHASSIS GROUND.
- 4. DATUM AND BASIC DIMENSION ESTABLISHED BY CUSTOMER.
- 5. MATES WITH SFP MSA COMPLIANT TRANSCEIVERS.
- 6. INTERPRETATION OF DATUM REFERENCE FRAME IN ACCORDANCE WITH SECT 4.4.1.1 OF ASME Y14.5M-1994.
- 7. REFERENCE APPLICATION SPEC. 114-13120, HOLE A, FOR RECOMMENDED DRILL HOLE DIAMETER AND PLATING THICKNESS.
- 8. REFERENCE APPLICATION SPEC. 114-13120, HOLE B, FOR RECOMMENDED DRILL HOLE DIAMETER AND PLATING THICKNESS.
- 9. HOLE PATTERN REPEATS FOR EACH PORT. SPACING BETWEEN PORTS IS 14.25mm.
- 10. MINIMUM PCB THICKNESS:
SINGLE SIDED = 1.50
DOUBLE SIDED = 2.25
- 11. CERTAIN MATING TRANSCEIVERS MAY REQUIRE ADDITIONAL PCB THICKNESS THAT WOULD NEED TO BE DETERMINED BY THE CUSTOMER.
- 12. PRODUCT COMPLIES WITH WITH SPECIFICATION SFF-8433 IMPROVED PLUGGABLE FORM FACTOR FOR SFP+ GANGED CAGES.

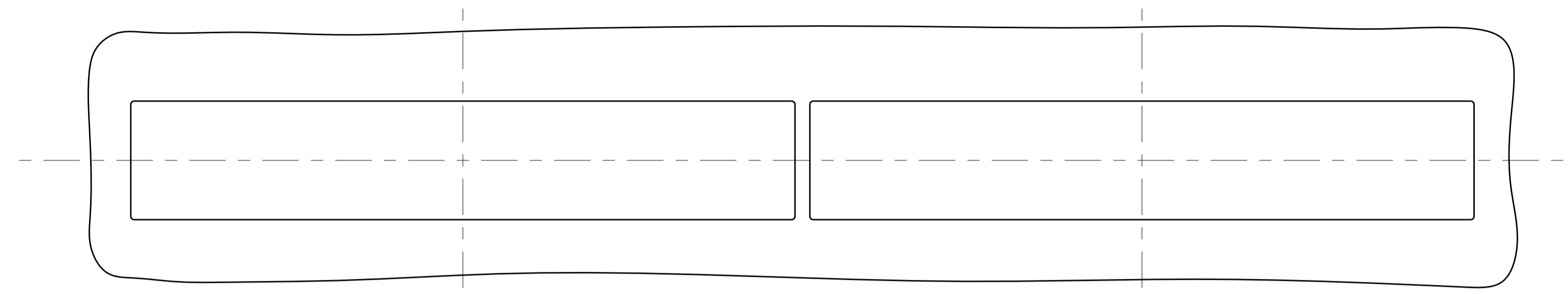


2007132-1 MOUNTED BELLYTO BELLY ON PCB
SCALE 5:1

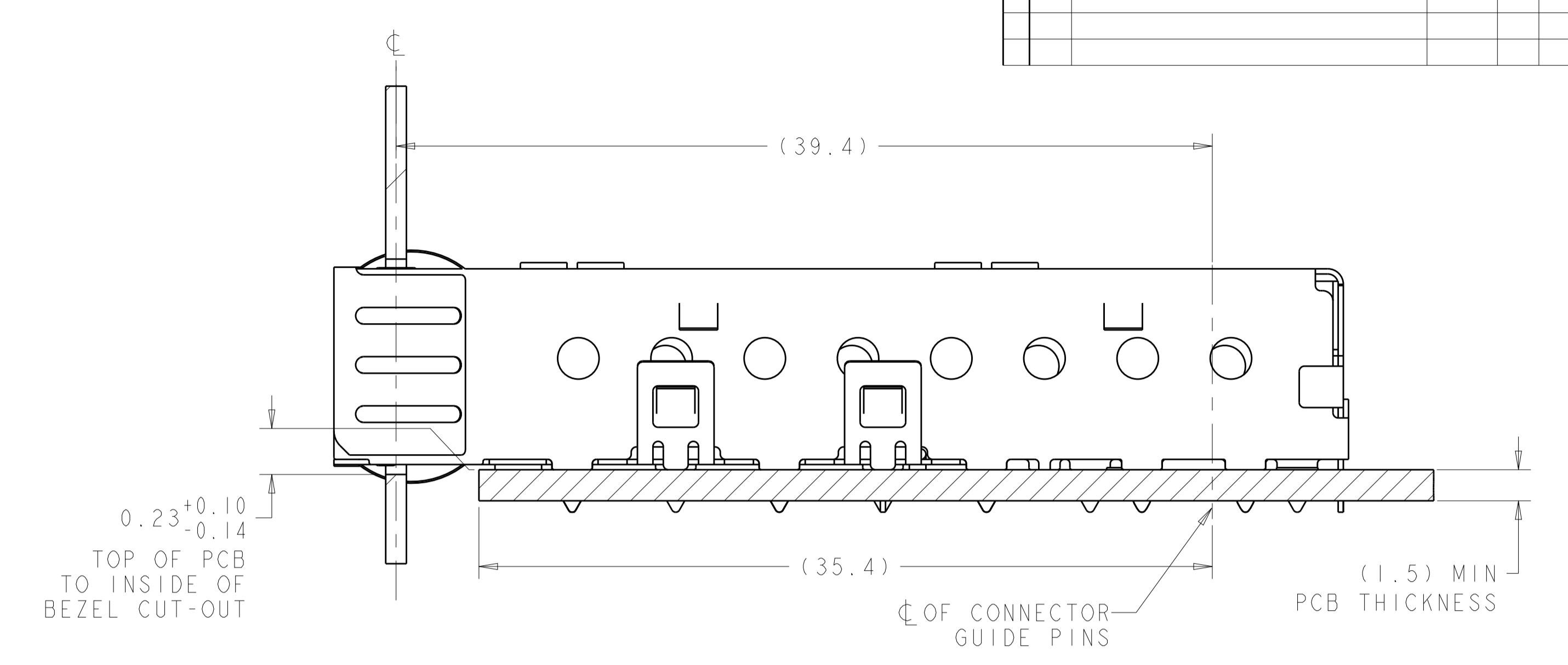
2007132-1
PART NUMBER

THIS DRAWING IS A CONTROLLED DOCUMENT.		DWN M. SCHMITT 21JUN2007	TE Connectivity NAME SFP+ 1X4 CAGE ASSEMBLY PRESS FIT, EXTERNAL EMI SPRINGS
DIMENSIONS: mm		CHK M. SCHMITT 21JUN2007	
TOLERANCES UNLESS OTHERWISE SPECIFIED:		APVD B. WERTZ 21JUN2007	
0 PLC ±0.1 1 PLC ±0.1 2 PLC ±0.1 3 PLC ±0.1 4 PLC ±0.1 ANGLES ±1°		PRODUCT SPEC 108-2364 APPLICATION SPEC 114-13120 WEIGHT - Customer Drawing	
MATERIAL		SIZE CAGE CODE DRAWING NO	RESTRICTED TO
FINISH		A100779C=2007132	SCALE 1:1 SHEET 1 OF 4 REV D

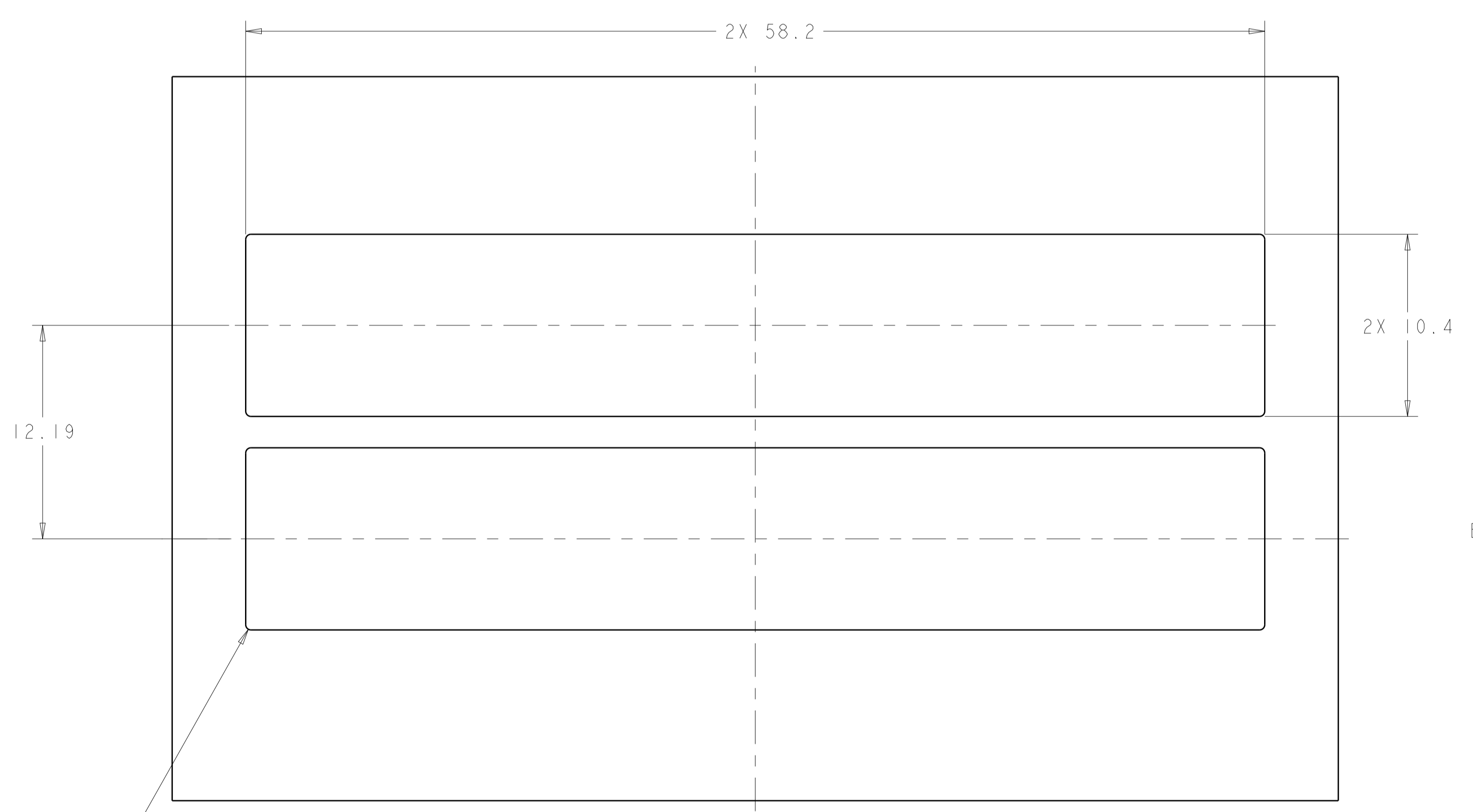
LOC	DIST	REVISIONS			
GP	00	REV	DATE	BY	APPV
-	-	SEE SHEET 1	-	-	-



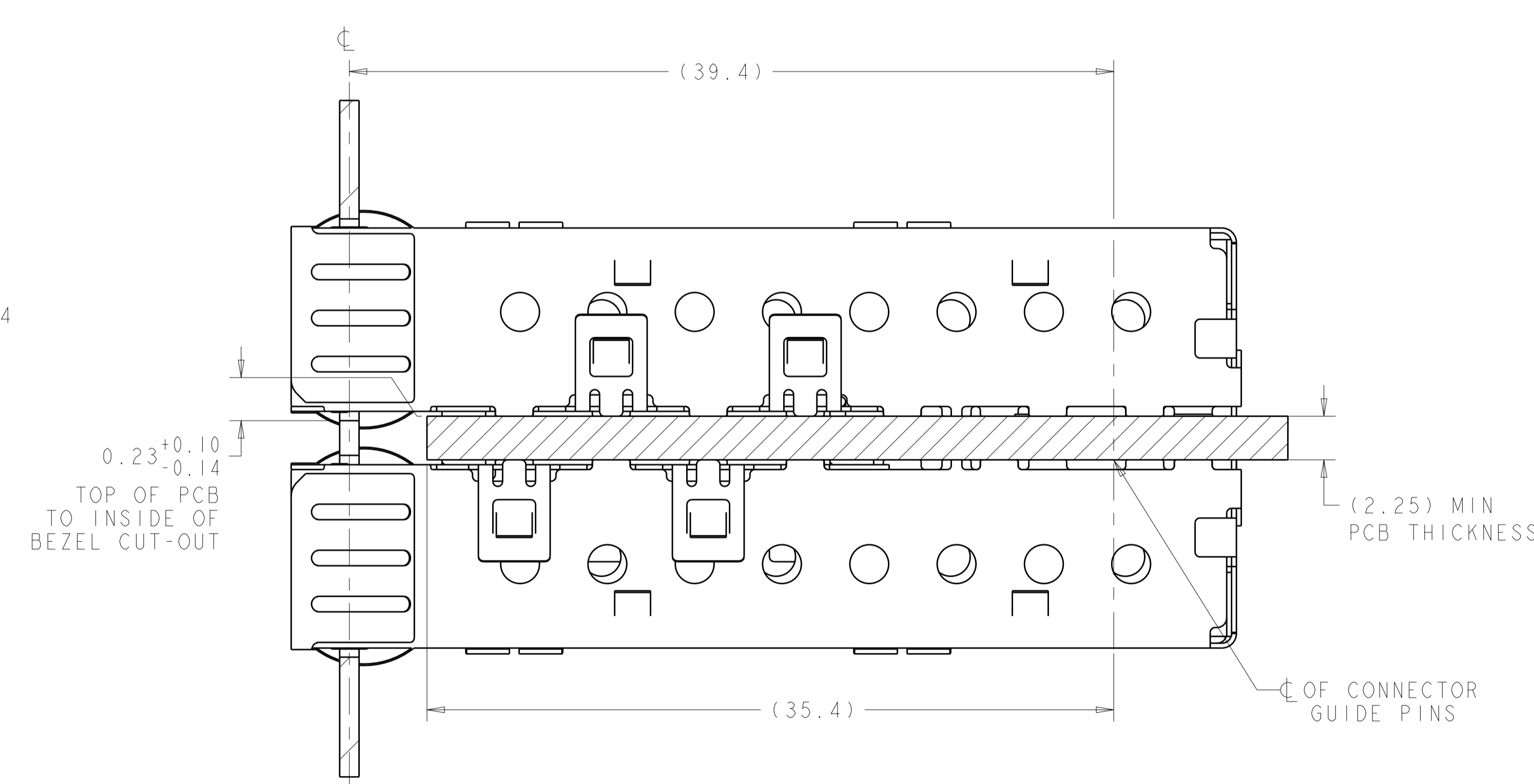
RECOMMENDED BEZEL CUT-OUT
 SINGLE SIDED APPLICATIONS
 SCALE 3:1



2007132-1
 MOUNTED ON PC BOARD
 SHOWN THRU RECOMMENDED BEZEL
 SCALE 5:1



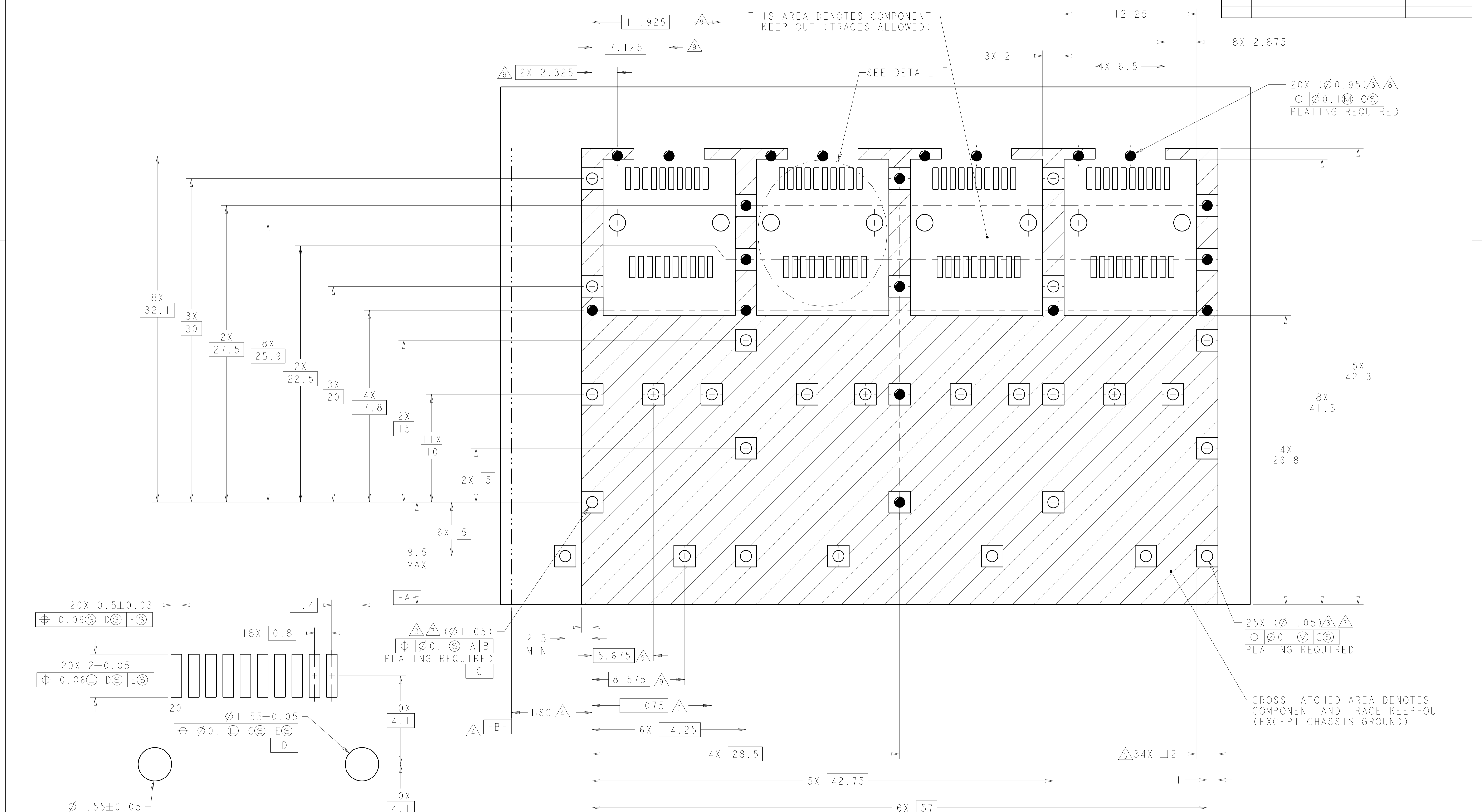
RECOMMENDED BEZEL CUT-OUT
 BELLY TO BELLY APPLICATIONS
 SCALE 5:1



2007132-1
 MOUNTED BELLY TO BELLY ON PC BOARD
 SHOWN THRU RECOMMENDED BEZEL
 SCALE 5:1

THIS DRAWING IS A CONTROLLED DOCUMENT.		OWN M. SCHMITT 21JUN2007	TE Connectivity
DIMENSIONS: mm		CHK M. SCHMITT 21JUN2007	
TOLERANCES UNLESS OTHERWISE SPECIFIED:		APV B. WERTZ 21JUN2007	NAME SFP+ 1X4 CAGE ASSEMBLY PRESS FIT, EXTERNAL EMI SPRINGS
0 PLC ±0.1	1 PLC ±0.1	PRODUCT SPEC 108-2364	SIZE CAGE CODE DRAWING NO RESTRICTED TO
2 PLC ±0.1	3 PLC ±0.1	APPLICATION SPEC 114-13120	A100779C=2007132
4 PLC ±0.1	ANGLES ±1°	WEIGHT	SCALE 1:1 SHEET 2 OF 4 REV D
MATERIAL	FINISH	Customer Drawing	

LOC	DIST	REV	DATE	BY	APPD
GP	00				



THIS AREA DENOTES COMPONENT KEEP-OUT (TRACES ALLOWED)

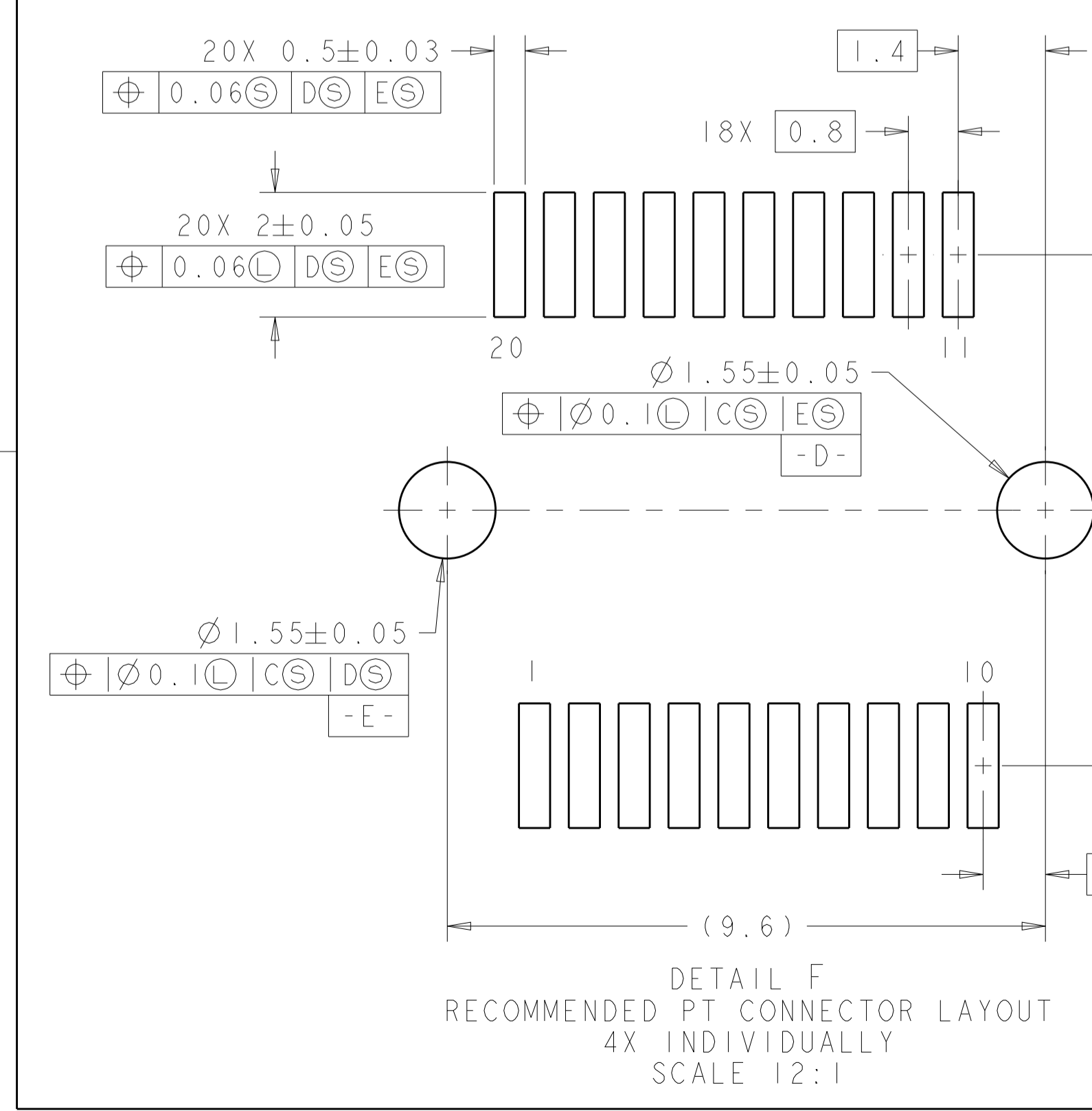
SEE DETAIL F

20X (Ø0.95) PLATING REQUIRED

25X (Ø1.05) PLATING REQUIRED

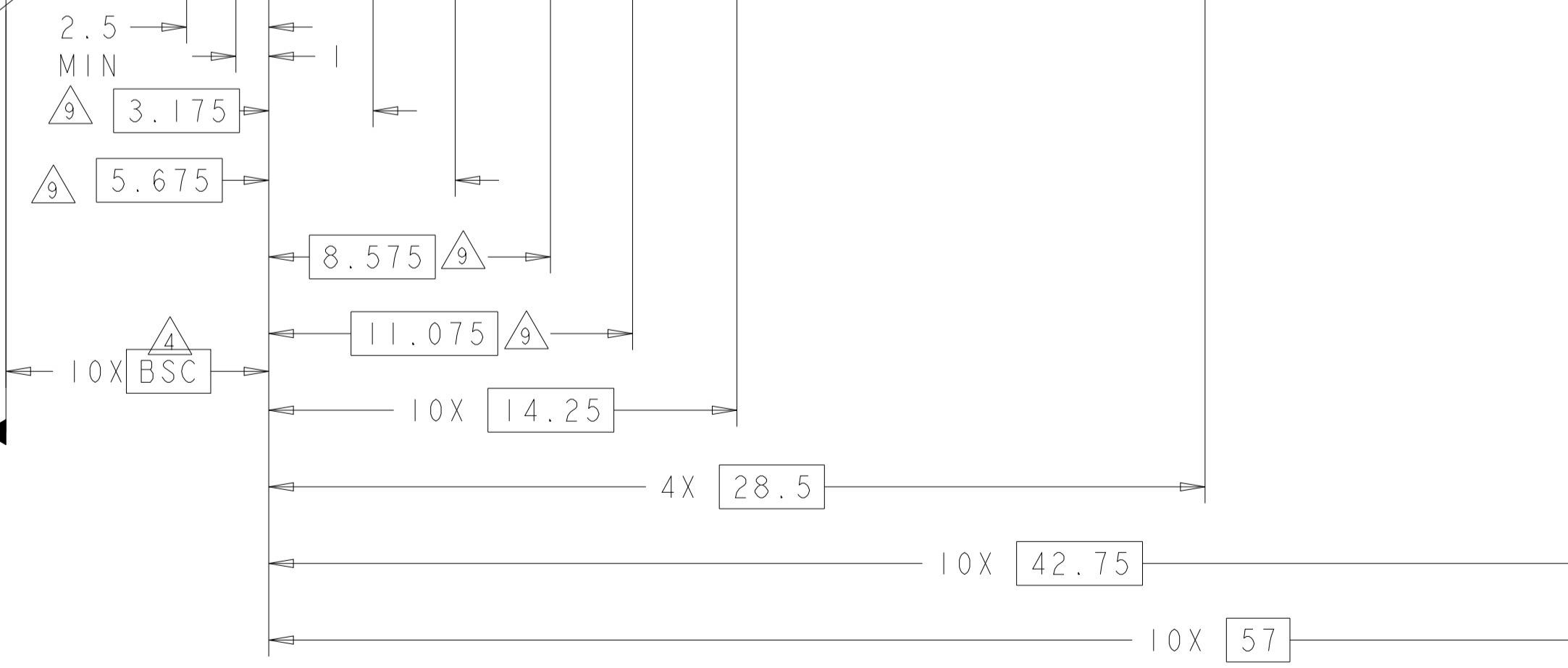
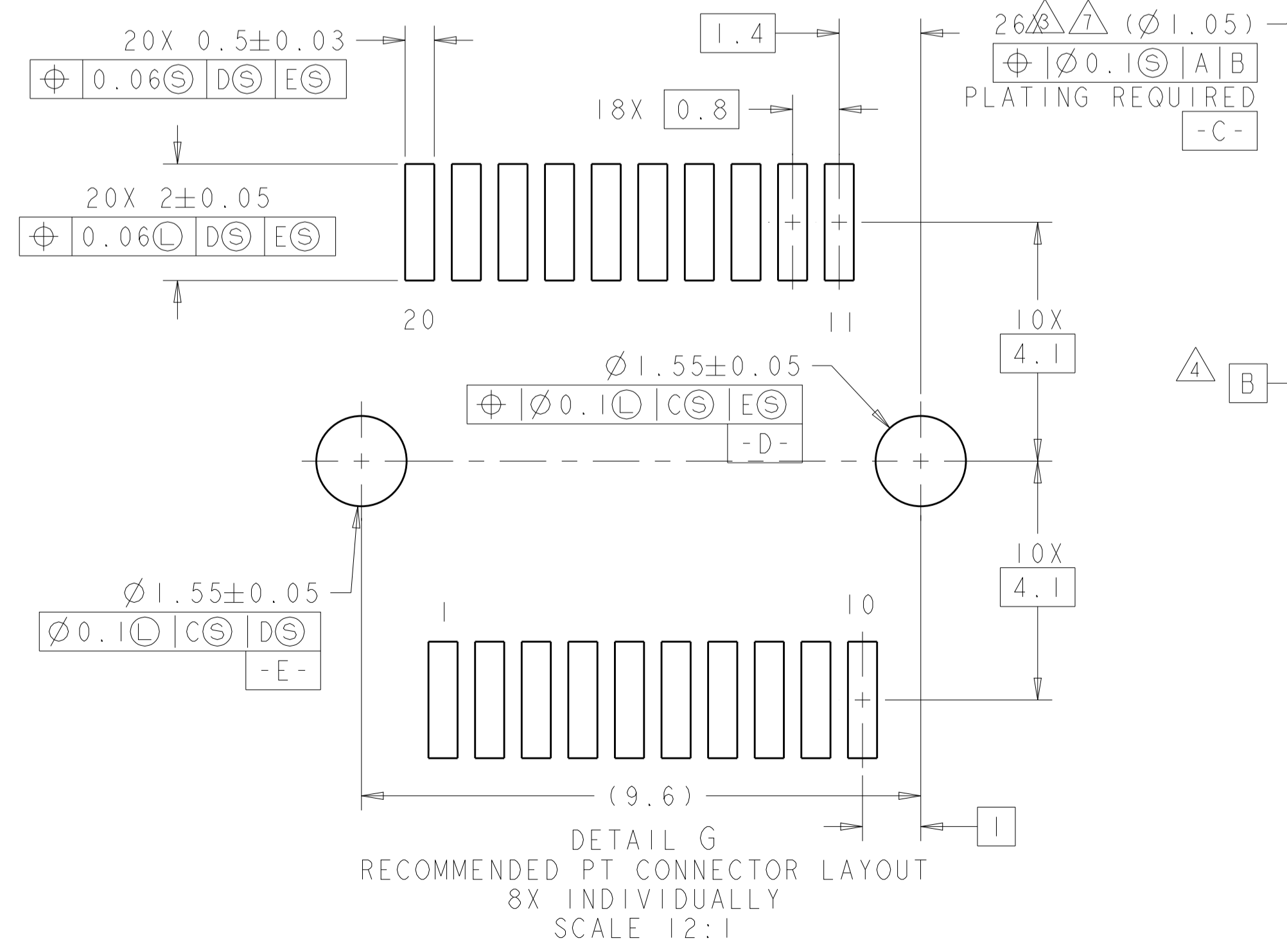
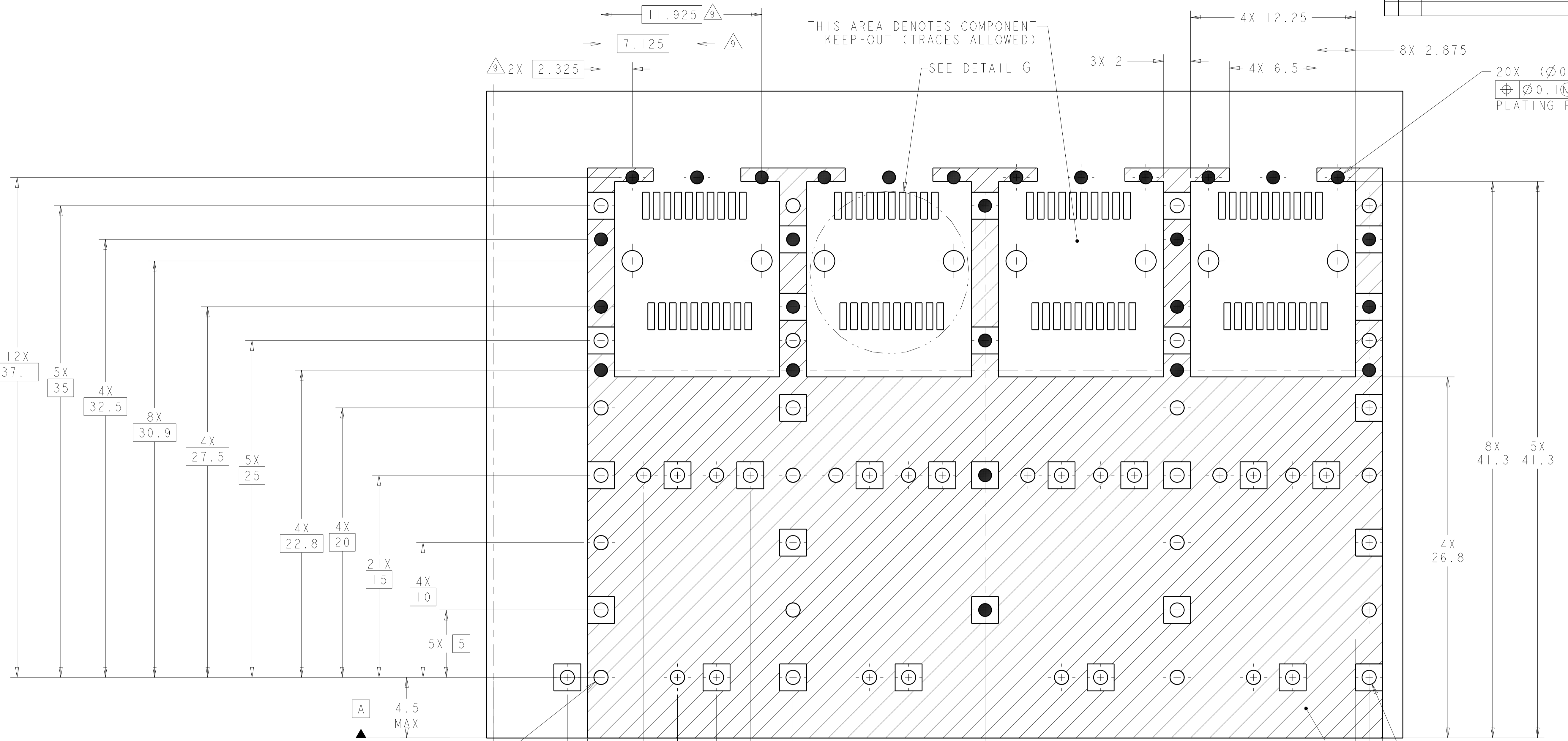
CROSS-HATCHED AREA DENOTES COMPONENT AND TRACE KEEP-OUT (EXCEPT CHASSIS GROUND)

RECOMMENDED PCB CONFIGURATION WITH KEEP-OUT AREAS SINGLE SIDED APPLICATIONS



THIS DRAWING IS A CONTROLLED DOCUMENT.		OWN M. SCHMITT 21JUN2007		TE Connectivity
DIMENSIONS: mm		CHK M. SCHMITT 21JUN2007		NAME SFP+ 1X4 CAGE ASSEMBLY PRESS FIT, EXTERNAL EMI SPRINGS
TOLERANCES UNLESS OTHERWISE SPECIFIED:		APPD B. WERTZ 21JUN2007	PRODUCT SPEC 108-2364	RESTRICTED TO
0 PLC ±0.1			APPLICATION SPEC	
1 PLC ±0.1			SIZE CAGE CODE DRAWING NO	
2 PLC ±0.1			A100779C=2007132	
3 PLC ±0.1			SCALE 1:1	
4 PLC ±0.1			SHEET 3 OF 4	
ANGLES ±1°			REV D	
MATERIAL FINISH		WEIGHT	Customer Drawing	

LOC	DIST	REVISIONS				
		P. LTH	DESCRIPTION	DATE	DWN	APVD
GP	00	-	SEE SHEET 1	-	-	-



CROSS-HATCHED AREA DENOTES COMPONENT AND TRACE KEEP-OUT (EXCEPT CHASSIS GROUND)

RECOMMENDED PCB CONFIGURATION WITH KEEP-OUT AREAS BELLY TO BELLY APPLICATIONS

DIMENSIONS:		TOLERANCES UNLESS OTHERWISE SPECIFIED:		MATERIAL:		FINISH:		WEIGHT:		Customer Drawing	
mm	0 PLC	±0.1	1 PLC	±0.1	2 PLC	±0.1	3 PLC	±0.1	4 PLC	±0.1	ANGLES ±0.1°

APVD	M. SCHMITT	21JUN2007
CHK	M. SCHMITT	21JUN2007
DESIGNER	B. WERTZ	21JUN2007
PRODUCT SPEC	SFP+ 1X4 CAGE ASSEMBLY	
APPLICATION SPEC	PRESS FIT, EXTERNAL EMI SPRINGS	
SIZE	CAGE CODE	DRAWING NO.
A1	100779	C=2007132
SCALE	1:1	SHEET 4 OF 4
REV	D	